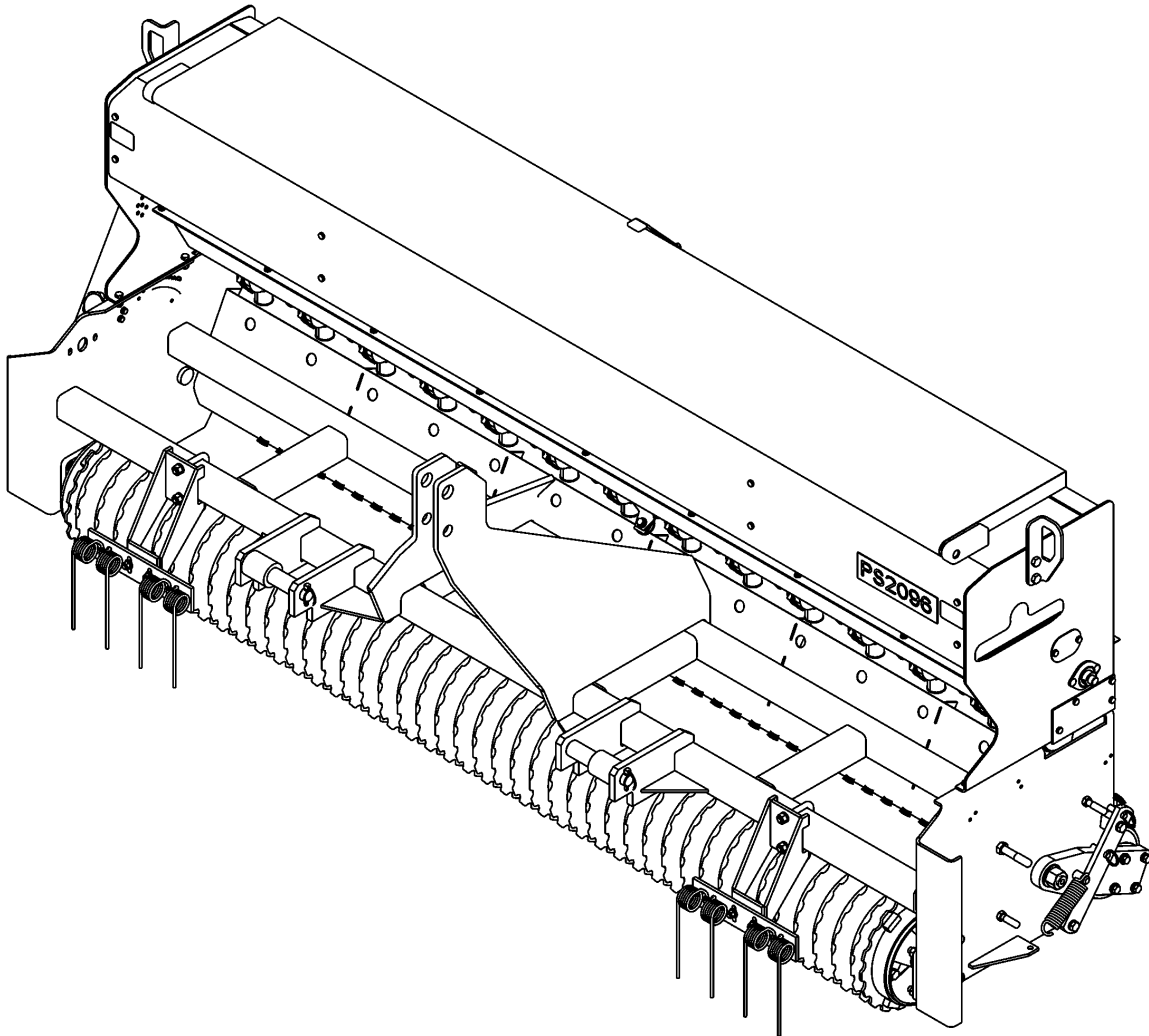


Primary Seeder

PS2096



21336

313-308P Parts Manual



Read the Operator's manual entirely. When you see this symbol, the subsequent instructions and warnings are serious - follow without exception. Your life and the lives of others depend on it!

© Copyright 2008 Printed 03/27/08

Cover photo may show optional equipment not supplied with standard unit.





Table of Contents

Section 1: Introduction.....4	Part Number Index.....62
Using This Manual.....4	
Manual Replacement Information.....4	
Manual Revisions.....4	
Touch-up Paint.....4	
Hardware Legend.....5	
Replacement Hardware.....5	
Serial Numbers.....5	
Part Number Service Coding.....5	
 PS20 SERIES	
Section 2: Frame.....6	
Front Roller And Lower Hitch.....6	
Rear Roller.....8	
Track Removers.....10	
Section 3: Seed Box.....12	
Box Assembly S/N _____+.....12	
Box Assembly S/N 397502-.....14	
Box Assembly S/N 397503 to _____.....16	
Box To Frame To SMV Assembly.....18	
Seed Cup Assembly S/N 397502-.....20	
Seed Cup Assembly S/N 397503+.....22	
Seed Rate Adjustment Handle S/N 397503+.....24	
Seed Rate Handle Assembly S/N 397502-.....26	
Section 4: Drive.....28	
Drive Assembly.....28	
Section 5: Decals.....30	
Label Placement (Part 1).....30	
Section 6: Small Seed.....32	
Small Grass Seed Box Assembly S/N 397503+.....32	
Small Grass Seed Box To Main Box Assemble S/N 397503+.....34	
Small Grass Seed Box To Main Box Assembly S/N 397502-.....36	
Small Grass Seed Cup And Box Assembly S/N 397502-.....38	
Small Grass Seed Drive S/N 397502-.....40	
Small Grass Seed Drive S/N 397503+.....42	
Small Grass Seed Label Placement S/N 397502-.....44	
Small Grass Seed Label Placement S/N 397503+.....46	
Small Grass Seed Seed Rate Handle S/N 397502-.....48	
Small Grass Seed Seed Rate Handle S/N 397503+.....50	
Section 7: Pull Package.....52	
Hydraulic Arrangement.....52	
Hydraulic Cylinder 810-001C.....54	
Label Placement (Part 2).....56	
Transport Axle.....58	
Transport Frame.....60	

© Copyright 2008. All rights reserved.

Land Pride provides this publication “as is” without warranty of any kind, either expressed or implied. While every precaution has been taken in the preparation of this manual, Land Pride assumes no responsibility for errors or omissions. Neither is any liability assumed for damages resulting from the use of the information contained herein. Land Pride reserves the right to revise and improve its products as it sees fit. This publication describes the state of this product at the time of its publication, and may not reflect the product in the future. The illustrations in this manual are not intended for safe and proper assembly or disassembly of equipment. The illustrations are intended for ordering parts only.

Land Pride is registered trademark.

All other brands and product names are trademarks or registered trademarks of their respective holders.

Printed in the United States of America.



Alphabetized Table of Contents

PS20 SERIES

B

Box Assembly S/N 397502-.....	14
Box Assembly S/N 397503 to _____.....	16
Box Assembly S/N _____+.....	12
Box To Frame To SMV Assembly.....	18

D

Drive Assembly.....	28
---------------------	----

F

Front Roller And Lower Hitch.....	6
-----------------------------------	---

H

Hydraulic Arrangement.....	52
Hydraulic Cylinder 810-001C.....	54

L

Label Placement (Part 1).....	30
Label Placement (Part 2).....	56

R

Rear Roller.....	8
------------------	---

S

Seed Cup Assembly S/N 397502-.....	20
Seed Cup Assembly S/N 397503+.....	22
Seed Rate Adjustment Handle S/N 397503+.....	24
Seed Rate Handle Assembly S/N 397502-.....	26
Small Grass Seed Box Assembly S/N 397503+.....	32
Small Grass Seed Box To Main Box Assemble S/N 397503+.....	34
Small Grass Seed Box To Main Box Assembly S/N 397502-.....	36
Small Grass Seed Cup And Box Assembly S/N 397502-.....	38
Small Grass Seed Drive S/N 397502-.....	40
Small Grass Seed Drive S/N 397503+.....	42
Small Grass Seed Label Placement S/N 397502-.....	44
Small Grass Seed Label Placement S/N 397503+.....	46
Small Grass Seed Seed Rate Handle S/N 397502-.....	48
Small Grass Seed Seed Rate Handle S/N 397503+.....	50

T

Track Removers.....	10
Transport Axle.....	58
Transport Frame.....	60

General Information

Using This Manual

This manual is divided into sections. The first section contains General Information. The remaining sections divide the machine into segments (i.e. Frames, Drives, Hydraulics, etc.) which illustrate and list all parts. A Parts Number Index is located at the back of the book.

The Land Pride parts in this manual are specially designed for this machine and should be replaced with Land Pride parts only.

The information in this manual is current at time of printing. Some parts may change to assure top performance.

Right-hand and left-hand as used in this manual are determined by facing the direction the machine will travel while in use.

Below is an example of two facing pages from a parts manual. Familiarize yourself with the type of information contained on these pages.

Manual Replacement Information

Replacement manuals are available. Refer to our website at www.landpride.com, the Land Pride Support Center CD or e-mail us at lit@landpride.com for additional information. Our website continues to provide the most up-to-date manuals available.

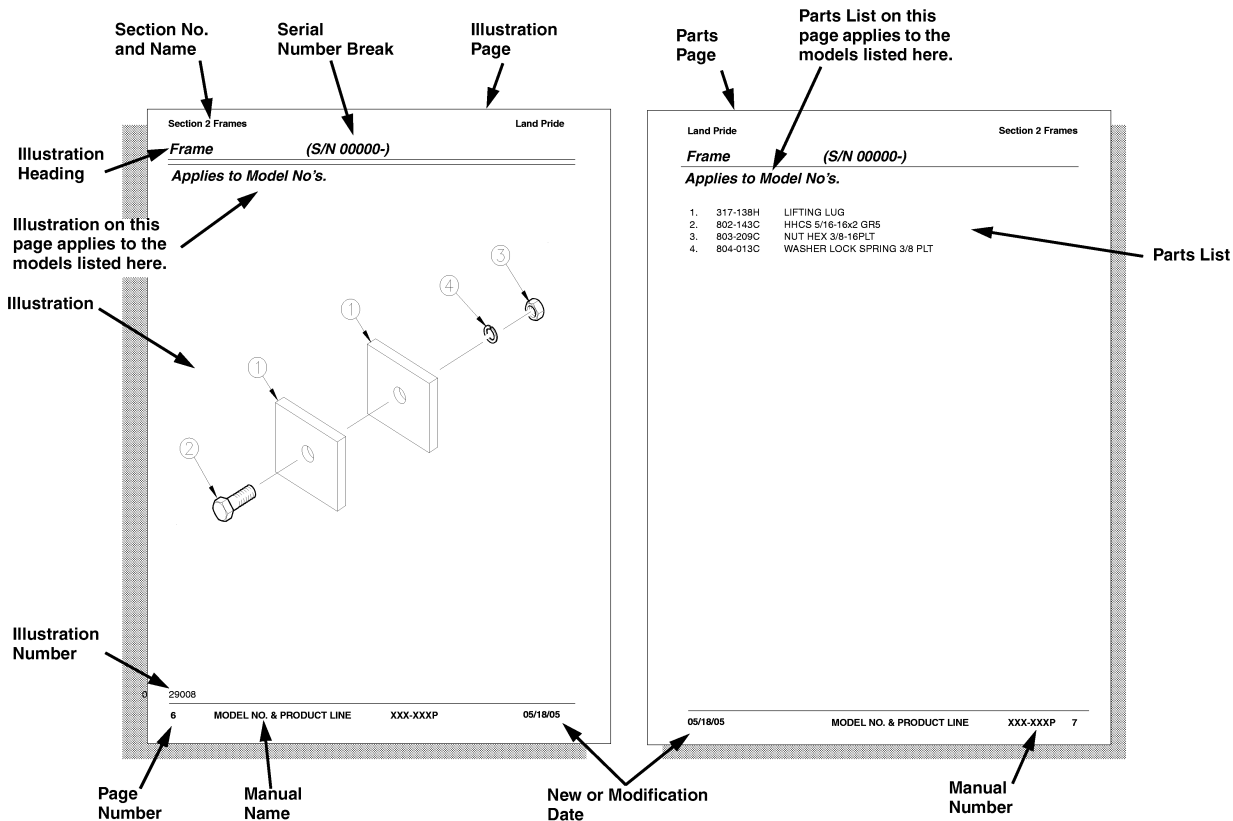
Touch-up Paint

Repaint parts where paint is worn or scratched to prevent rust. Aerosol cans and touch-up bottles with brush applicator are available through your local dealer. Land Pride color descriptions and part numbers are listed below. Also available are quart and gallon size paints. Add QT or GL to end of the Aerosol P/N.

Color	Product ¹	Aerosol	Touch-Up
Gloss Black	LP	821-032C	821-032CTU
Medium Gloss Black	UV	821-053C	821-053CTU
Beige	LP	821-011C	821-011CTU
Green	SLP	821-058C	821-058CTU
Orange	SLP	821-066C	821-066CTU
Red	SLP/UV	821-054C	821-054CTU
Blue	SLP/UV	821-067C	821-067CTU
Dark Green Sparkle	UV	821-055C	821-055CTU
Gondo Forest Green	UV	821-057C	821-057CTU
Brite Yellow ²	UV	821-056C	821-056CTU
Gondo Yellow ³	UV	821-059C	821-059CTU

Notes:

- 1 LP = All Land Pride Products except Utility Vehicles
SLP = Select Land Pride Products that are available in optional Green, Orange, Red, & Blue colors.
UV = Utility Vehicles
- 2 Used on Trekers and (Runabouts with S/N 407628-)
- 3 Used on Gondos and (Runabouts with S/N 407629+)



General Information

Hardware Legend

AR	As Required
BLADE	Blade Bolt
C	Cap Screw
CP	Cotter Pin
CPHSSS	Cup Point Hex Socket Set Screw
CPSHSS	Cup Point Square Head Set Screw
CPSQHSS	Cup Point Square Head Set Screw
CRFCHMS3	Cross Recess Flat Countersunk Head Machine Screw
CRPHMS	Cross Recess Pan Head Machine Screw
CRPHTFS	Cross Recess Pan Head Thread Forming
CRRHMS	Cross Recess Round Head Machine Screw
CRTHMS	Cross Recess Truss Head Machine Screw
CSNB	Countersunk Square Neck Bolt
FHMS	Flat Head Machine Screw
FTC	Full Thread Cap Screw
H	Hex Nut
HCLN	Hex Center Lock Nut
HFLCS	Hex Flange Lock Cap Screw
HFS	Hex Flange Screw
HFSLN	Hex Flange Serrated Lock Nut
HFSS	Hex Flange Serrated Screw
HHCS	Hex Head Cap Screw or Metric Bolt
HSBHCS	Hex Socket Button Head Cap Screw
HSFCHCS	Hex Socket Flat Countersunk Head Cap Screw
HSHCS	Hex Socket Head Cap Screw
HSSS	Hex Socket Head Screw
HTLN	Hex Top Lock Nut
HWHCS	Hex Washer Head Cap Screw

HWHMS	Hex Washer Head Machine Screw
HXBHCS	Hex Socket Button Head Cap Screw
J	Hex Jam Nut
JIC	37 Degree Tapered Thread
L	Helical Spring Lock Washer
LUG	Lug Bolt
NFC	National Fine Cap Screw
NPSM	National Pipe Straight Mechanical
NPTF	National Pipe Taper Fuel
P	Wide Plain Washer
PHMS	Pan Head Machine Screw
PLOW	Plow Bolt
RHMS	Round Head Machine Screw
RHSNB	Round Head Square Neck Bolt
SCREW LEVELING	Leveling Screw
SCREW THUMB	Thumb Screw
SCREW WELD	Weld Screw
SFCHMS	Slotted Flat Countersunk Head Machine Screw
SFHMS	Slotted Fillister Head Machine Screw
SP	Special
SP SCREW	Special Screw
SQHSS	Square Head Set Screw
SRHMS	Slotted Round Head Machine Screw
SSS	Socket Set Screw
STCS	Self Tapping Cap Screw
STHMS	Slotted Truss Head Machine Screw
WHEEL	Wheel Studs and Hub Long Bolts
WING	Wing Bolt

Replacement Hardware

The **Hardware Legend** above lists hardware abbreviations used in the parts list. All bolts and nuts are Grade 5 unless otherwise noted. The use of improper grades of hardware can result in personal injury, damage to equipment, or loss of property.

Colored Replacement Parts

Land Pride offers replacement parts in factory standard colors and also on select models in Green, Orange, Red and Blue. Because of the variety of colors available, special attention must be given to the part number to prevent ordering the wrong replacement part.

A suffix number corresponding to one of the colors below must be added at the end of Land Pride's part number when ordering a replacement part with that color.

81 **Green** **83** **Red**
82 **Orange** **84** **Blue**

For example, if you are ordering a replacement part with part number 555-555C and the part you need is red, then add the suffix 83 to the end of the number to make the part number read 555-555C83. Parts ordered without a suffix number will be supplied in factory standard colors.

Black Replacement Parts

Some parts are factory standard black and some must be special ordered black. If your part is special ordered black, a second part number with the additional suffix number 85 on the end will be available. In this situation you must order that part with the suffix number for it to be black. Parts that are factory standard black will not have the suffix number.

Part Number Service Coding

Within the parts list some part numbers are coded for revisions and interchangeability. See notations in revision column.

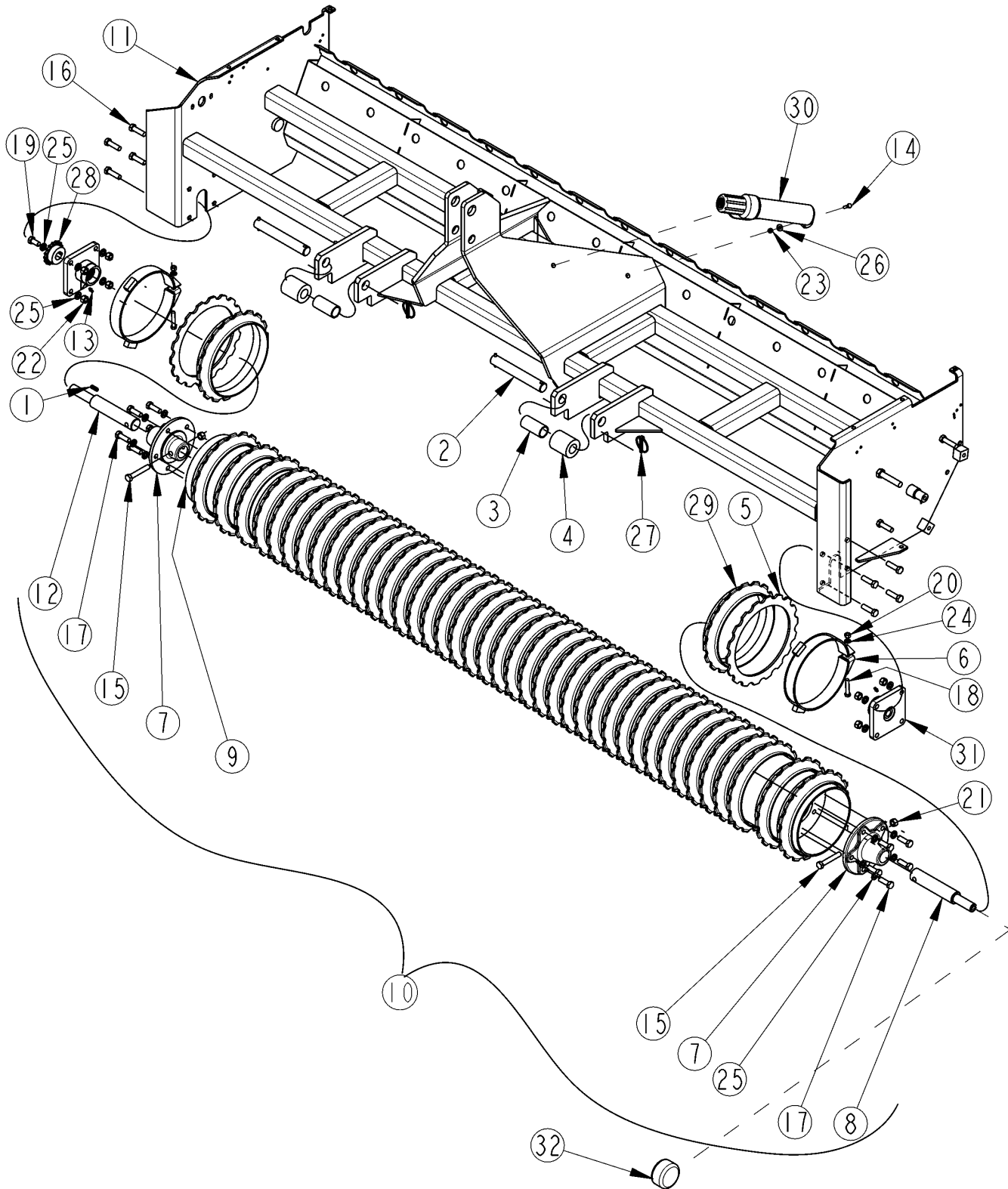
Serial Numbers

Always use the serial and model number when ordering parts. Refer to the Operator's Manual for serial number plate location.

- (S/N 20001+) Includes serial numbers 20001 and above (to the latest number)
- (S/N 10001 to 20000) Includes serial numbers between and including 10001 and 20000
- (S/N 10000-) Includes serial numbers 10000 and below (to the earliest number)

Front Roller And Lower Hitch

Applies to PS2096



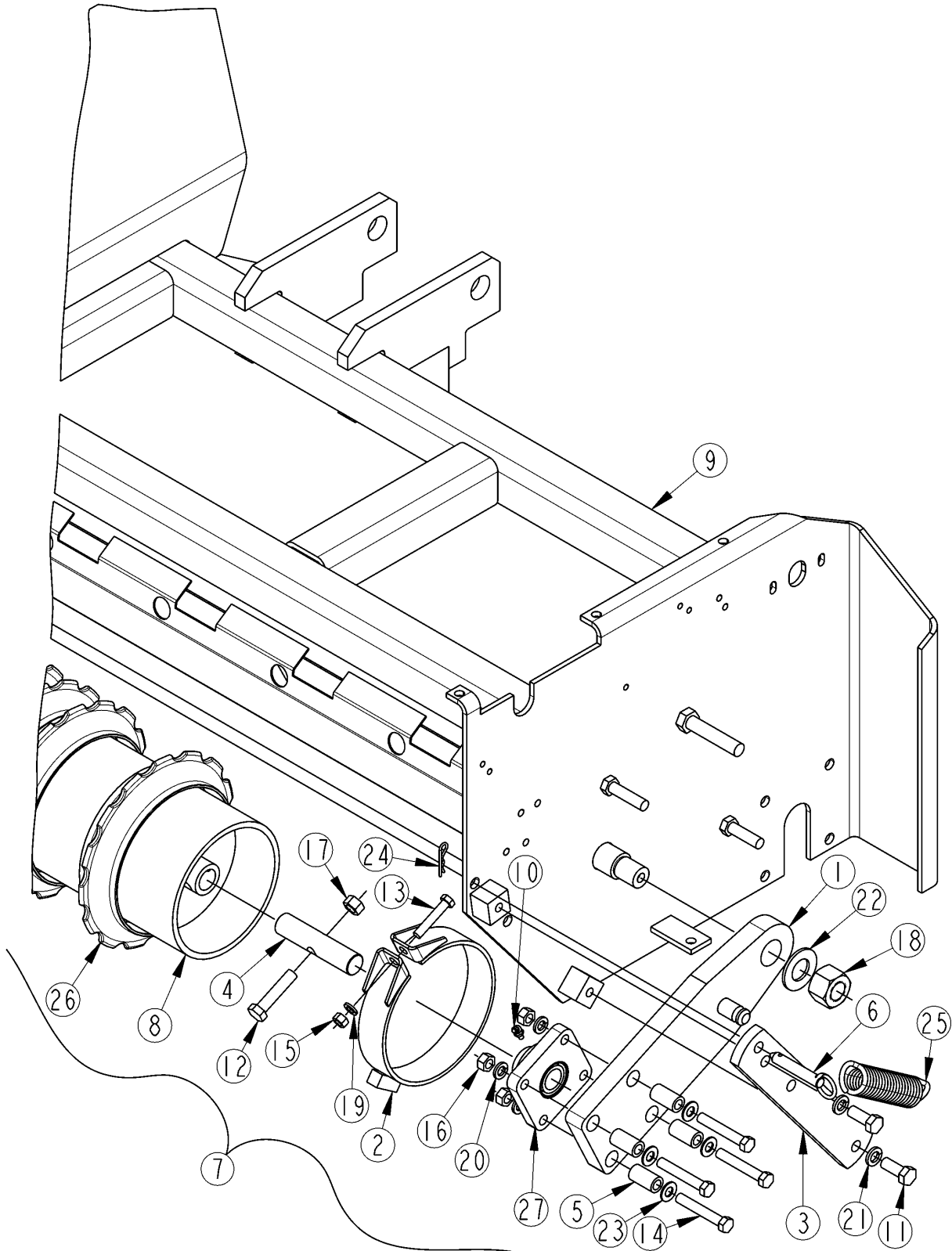
20746

Front Roller And Lower Hitch**Applies to PS2096**

Ref	Part No.	Part Description	Comments	Revision
	dwg20746	Drawing Image Number		
1.	123-004D	KEY 1/4 X 1		
2.	300-202S	PIN 1 1/8 OD X 7 1/8 USABLE		
3.	300-429D	CAT III BUSHING		
4.	300-431D	TUBE RD 2 1/4ODX1 5/32IDX2 5/8		
5.	308-360D	12 ROLLER SPACER 1/4		
6.	313-006H	FRONT ROLLER CLAMP		
7.	313-018D	FRONT ROLLER HUB		
8.	313-168D	DRIVE SHAFT PS25120		
9.	313-253H	PS2096 FRONT ROLLER WELD		
10.	313-254S	PS2096 FRONT ROLLER ASSY		
11.	313-315H	PS2096 FRAME WELD		
12.	313-556D	PSN20 DRIVE SHAFT ROLLER		
13.	800-001C	GREASE ZERK STRAIGHT 1/4-28		
14.	802-005C	HHCS 1/4-20X1 GR5		
15.	802-039C	HHCS 1/2-13X3 GR5		
16.	802-082C	HHCS 1/2-13X1 3/4 GR5		
17.	802-091C	HHCS 1/2-13X1 1/2 GR5		
18.	802-143C	HHCS 3/8-16X2 GR5		
19.	802-240C	HHCS 1/2-20X1 GR5		
20.	803-014C	NUT HEX 3/8-16 PLT		
21.	803-019C	NUT LOCK 1/2-13 PLT		
22.	803-020C	NUT HEX 1/2-13 PLT		
23.	803-255C	NUT HEX NYLOCK 1/4-20		
24.	804-013C	WASHER LOCK SPRING 3/8 PLT		
25.	804-015C	WASHER LOCK SPRING 1/2 PLT		
26.	804-075C	WASHER FLAT 1/4 USS PLT		
27.	805-015C	PIN LINCH 5/16 X 1 3/4		
28.	808-159C	SPKT 40B17 X 1 BORE W/KW & SS		
29.	812-056C	ROLLER WHEEL 12		
30.	816-504C	MANUAL STORAGE CONTAINER		
31.	822-004C	BRG FLG 1.50ID 4BLT LOCK		
32.	890-789C	ACREMEETER PS/PSN2096 1640 REV	Not Standard Equipment	

Rear Roller

Applies to PS2096



20748

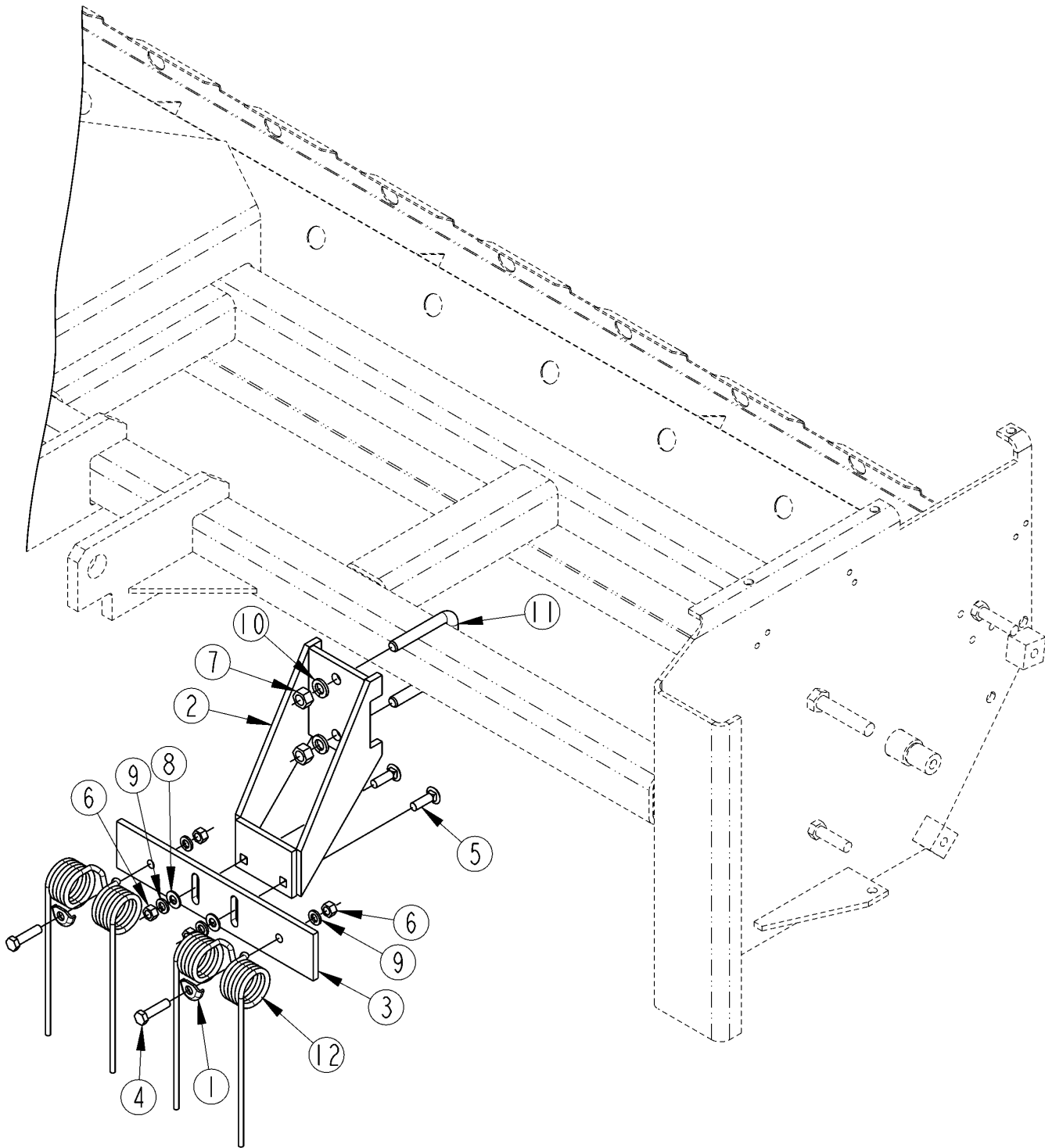
Rear Roller

Applies to PS2096

Ref	Part No.	Part Description	Comments	Revision
	dwg20748	Drawing Image Number		
1.	313-009H	PIVOT ARM REAR ROLLER		
2.	313-014H	REAR ROLLER CLAMP		
3.	313-015D	PIVOT ARM SIDE BAR		
4.	313-035D	REAR ROLLER SHAFT		
5.	313-050D	ROLLER BRG SPACER TUBE		
6.	313-063S	REAR ROLLER LOCK PIN ASSY		
7.	313-255S	PS2096 REAR ROLLER ASSY		
8.	313-256H	PS2096 REAR ROLLER WELD		
9.	313-315H	PS2096 FRAME WELD		
10.	800-316C	GREASE ZERK 1/4-28 X 45-DEG LG		
11.	802-022C	HHCS 3/8-16X1 1/2 GR5		
12.	802-034C	HHCS 1/2-13X1 1/4 GR5		
13.	802-038C	HHCS 1/2-13X2 1/4 GR5		
14.	802-315C	HHCS 7/16-14X2 3/4 GR5		
15.	803-014C	NUT HEX 3/8-16 PLT		
16.	803-015C	NUT HEX 7/16-14 PLT		
17.	803-019C	NUT LOCK 1/2-13 PLT		
18.	803-038C	NUT HEX 1-8 NYLON INSERT PLT		
19.	804-013C	WASHER LOCK SPRING 3/8 PLT		
20.	804-014C	WASHER LOCK 7/16 PLT		
21.	804-015C	WASHER LOCK SPRING 1/2 PLT		
22.	804-029C	WASHER FLAT 1 SAE		
23.	804-041C	WASHER FLAT 7/16 SAE PLT		
24.	805-010C	PIN HAIR COTTER .094		
25.	807-050C	SPRING EXT 1 13/32 X 6 EXT		
26.	812-133C	9 1/2 O.D. NOTCHED ROLLER		
27.	822-085C	BEARING 1 BORE X 4 BOLT		

Track Removers

Applies to PS2096



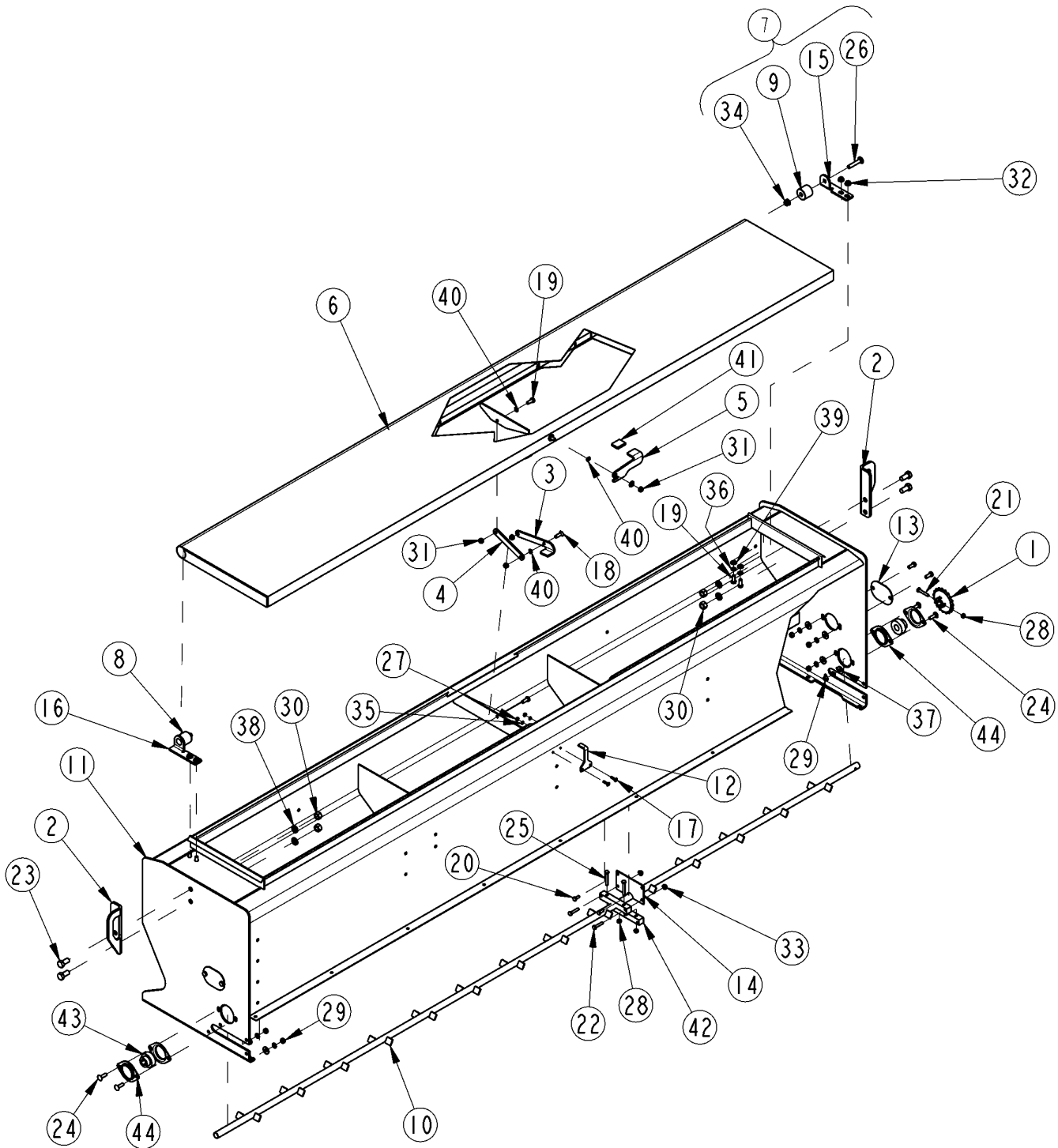
20747

Track Removers**Applies to PS2096**

Ref	Part No.	Part Description	Comments	Revision
	dwg20747	Drawing Image Number		
	313-028A	TRACK REMOVER BUNDLE *		
1.	308-180D	TINE RETAINER WASHER		
2.	313-027H	FRAME MTG TRACK REMOVER		
3.	313-060D	TINE MOUNTING PLATE		
4.	802-022C	HHCS 3/8-16X1 1/2 GR5		
5.	802-155C	RHSNB 3/8-16X1 1/4 GR5		
6.	803-014C	NUT HEX 3/8-16 PLT		
7.	803-020C	NUT HEX 1/2-13 PLT		
8.	804-012C	WASHER FLAT 3/8 SAE PLT		
9.	804-013C	WASHER LOCK SPRING 3/8 PLT		
10.	804-015C	WASHER LOCK SPRING 1/2 PLT		
11.	806-010C	U-BOLT 1/2-13 X 2 1/2 X 3 1/2		
12.	807-044C	DOUBLE TORSION SPRING		

Box Assembly S/N _____ +

Applies to PS2096



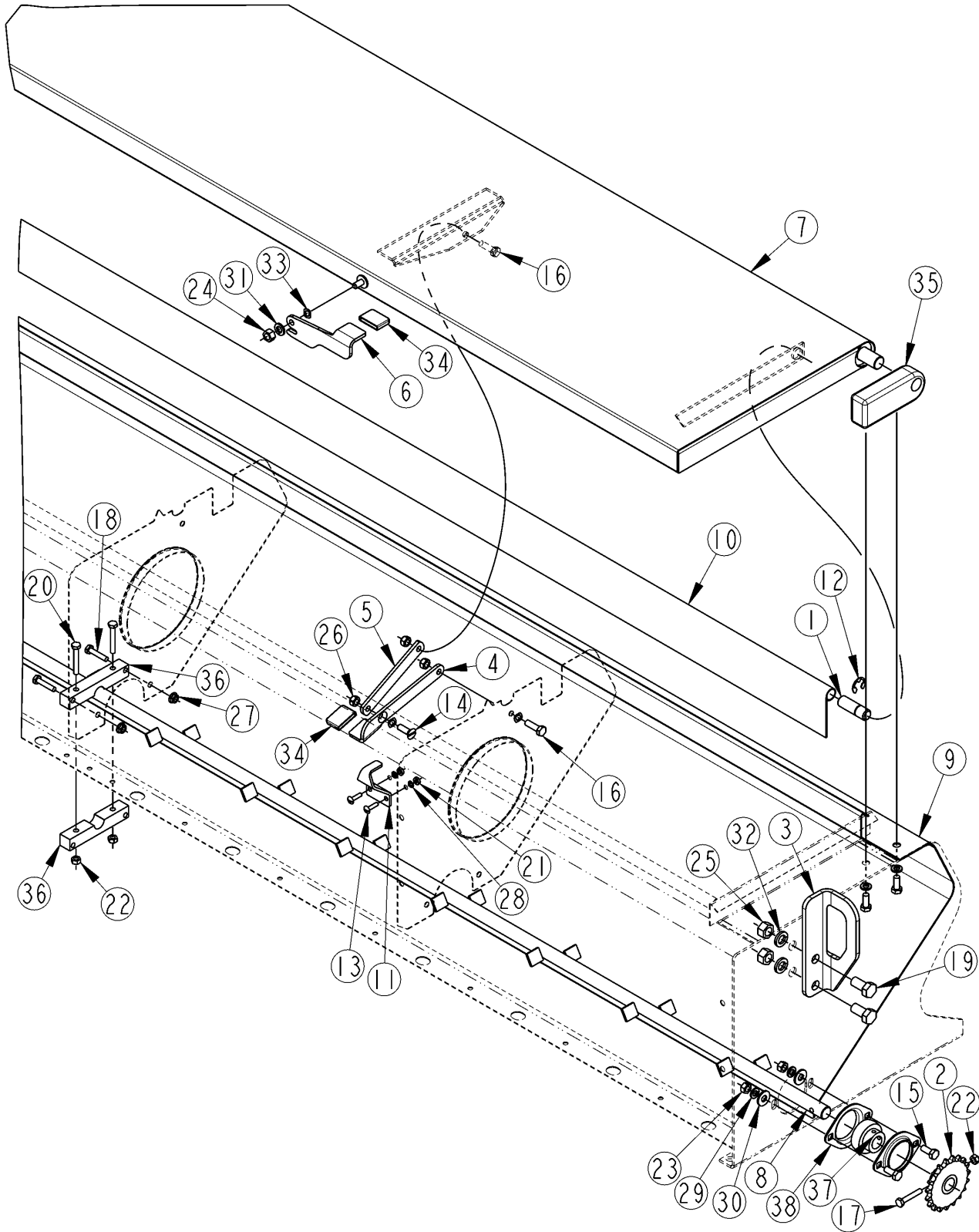
25987

Box Assembly S/N _____ +**Applies to PS2096**

Ref	Part No.	Part Description	Comments	Revision
	dwg25987	Drawing Image Number		
1.	202-002H	19T SPEED CHANGE SPROCKET		
2.	308-193D	OS/PS SLING BKT		
3.	308-392D	LID LATCH - LOWER ARM		
4.	308-393D	LID LATCH - UPPER ARM		
5.	308-394D	LID LATCH - HANDLE		
6.	313-019H	LID WELDMENT, 96"		
7.	313-024S	PS LID HINGE ASSEMBLY RH		
8.	313-104S	PS LID HINGE ASSEMBLY LH		
9.	313-186D	LID HINGE PIVOT		
10.	313-252H	PS2096 AGITATOR WELDMENT		
11.	313-341H	PS(N)2096 SEEDBX BOLTON		
12.	313-475D	NG LID LATCH STRIKE		
13.	313-643D	PS20 BOX END PLT COVER		
14.	313-645D	BRACKET AGITATOR		
15.	313-672D	PSN2096 LID HINGE RH		
16.	313-673D	PSN2096 LID HINGE LH		
17.	801-021C	SCREW RD HD 10-24 X 3/4 PLT		
18.	801-024C	SCREW 5/16-18X82DEG CNTSKX1P		
19.	802-007C	HHCS 5/16-18X3/4 GR5		
20.	802-078C	HHCS 1/4-20X5/8 GR5		
21.	802-167C	HHCS 1/4-20X1 1/2 GR5		
22.	802-224C	HHCS 1/4-20X1 1/4 GR5		
23.	802-258C	HHCS 1/2-13X1 GR5		
24.	802-282C	RHSNB 5/16-18X1 GR5		
25.	802-370C	HHCS 1/4-20X1 3/4 GR5		
26.	802-411C	RHSNB 3/8-16X2 GR5		
27.	803-001C	NUT HEX 10-24 PLT		
28.	803-007C	NUT LOCK 1/4-20 PLT		
29.	803-008C	NUT HEX 5/16-18 PLT		
30.	803-020C	NUT HEX 1/2-13 PLT		
31.	803-084C	NUT HEX NYLOCK 5/16-18 PLT		
32.	803-177C	NUT HEX FLG TP LK 5/16-18ZNYCR		
33.	803-194C	NUT HEX WHIZ 1/4-20 PLT		
34.	803-209C	NUT FLANGE LOCK 3/8-16 PLT		
35.	804-004C	WASHER INTERNAL STAR #10 PLT		
36.	804-009C	WASHER LOCK SPRING 5/16 PLT		
37.	804-010C	WASHER FLAT 5/16 USS PLT		
38.	804-015C	WASHER LOCK SPRING 1/2 PLT		
39.	804-036C	WASHER FLAT 5/16 SAE PLT		
40.	804-056C	WASHER WAVE SPRING 5/16		
41.	817-033C	LID LATCH GRIP		
42.	817-467C	SUPPORT AGITATOR SHFT PS20 CNT		
43.	822-040C	BRG INS .75IDX1.85OD SPH LCK		
44.	822-041C	FLANGETTE 47 MST		

Box Assembly S/N 397502-

Applies to PS2096



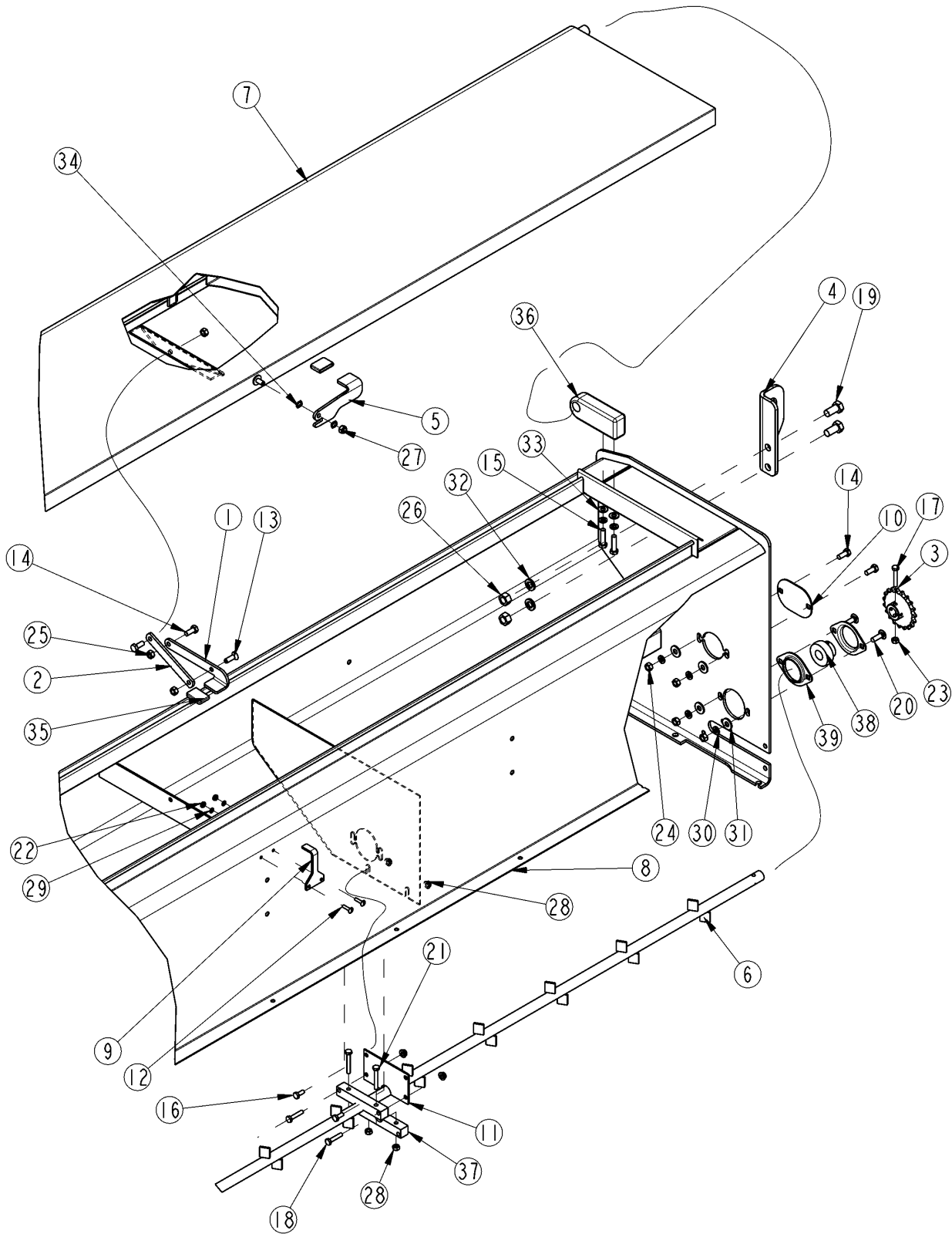
20749

Box Assembly S/N 397502-**Applies to PS2096**

Ref	Part No.	Part Description	Comments	Revision
	dwg20749	Drawing Image Number		
1.	179-025D	SEED DIVERTER PIN		
2.	202-002H	19T SPEED CHANGE SPROCKET		
3.	308-193D	OVERSEEDER/PRIMARY SLING BRKT		
4.	308-392D	OS48/72 LID LATCH - LOWER ARM		
5.	308-393D	OS48/72 LID LATCH - UPPER ARM		
6.	308-394D	OS48/72 LID LATCH - HANDLE		
7.	313-251H	PS2096 LID WELDMENT		
8.	313-252H	PS2096 AGITATOR WELDMENT		
9.	313-307H	PS2096 SEED BOX WELD		
10.	313-441D	PS2096 SEED DIVERTER		
11.	313-542D	PS2096 LID LATCH STRIKE		
12.	800-048C	SNAP RING EXT E 5/8		
13.	801-021C	SCREW RD HD 10-24 X 3/4 PLT		
14.	801-024C	SCREW 5/16-18X82DEG CNTSKX1P		
15.	802-007C	HHCS 5/16-18X3/4 GR5		
16.	802-159C	HHCS 5/16-18X1 GR5		
17.	802-167C	HHCS 1/4-20X1 1/2 GR5		
18.	802-224C	HHCS 1/4-20X1 1/4 GR5		
19.	802-258C	HHCS 1/2-13X1 GR5		
20.	802-370C	HHCS 1/4-20X1 3/4 GR5		
21.	803-001C	NUT HEX 10-24 PLT		
22.	803-007C	NUT LOCK 1/4-20 PLT		
23.	803-008C	NUT HEX 5/16-18 PLT		
24.	803-014C	NUT HEX 3/8-16 PLT		
25.	803-020C	NUT HEX 1/2-13 PLT		
26.	803-084C	NUT HEX NYLOCK 5/16-18 PLT		
27.	803-194C	NUT HEX WHIZ 1/4-20 PLT		
28.	804-004C	WASHER INTERNAL STAR #10 PLT		
29.	804-009C	WASHER LOCK SPRING 5/16 PLT		
30.	804-010C	WASHER FLAT 5/16 USS PLT		
31.	804-013C	WASHER LOCK SPRING 3/8 PLT		
32.	804-015C	WASHER LOCK SPRING 1/2 PLT		
33.	804-056C	WASHER WAVE SPRING 5/16		
34.	817-033C	LID LATCH GRIP		
35.	817-443C	PLASTIC LID HINGE		
36.	817-467C	PS20 CEN AGIATOR BRG.		
37.	822-040C	BEARING 3/4BORE 47MM SPHERE OD		
38.	822-041C	FLANGETTE 47 MST		

Box Assembly S/N 397503 to _____

Applies to PS2096



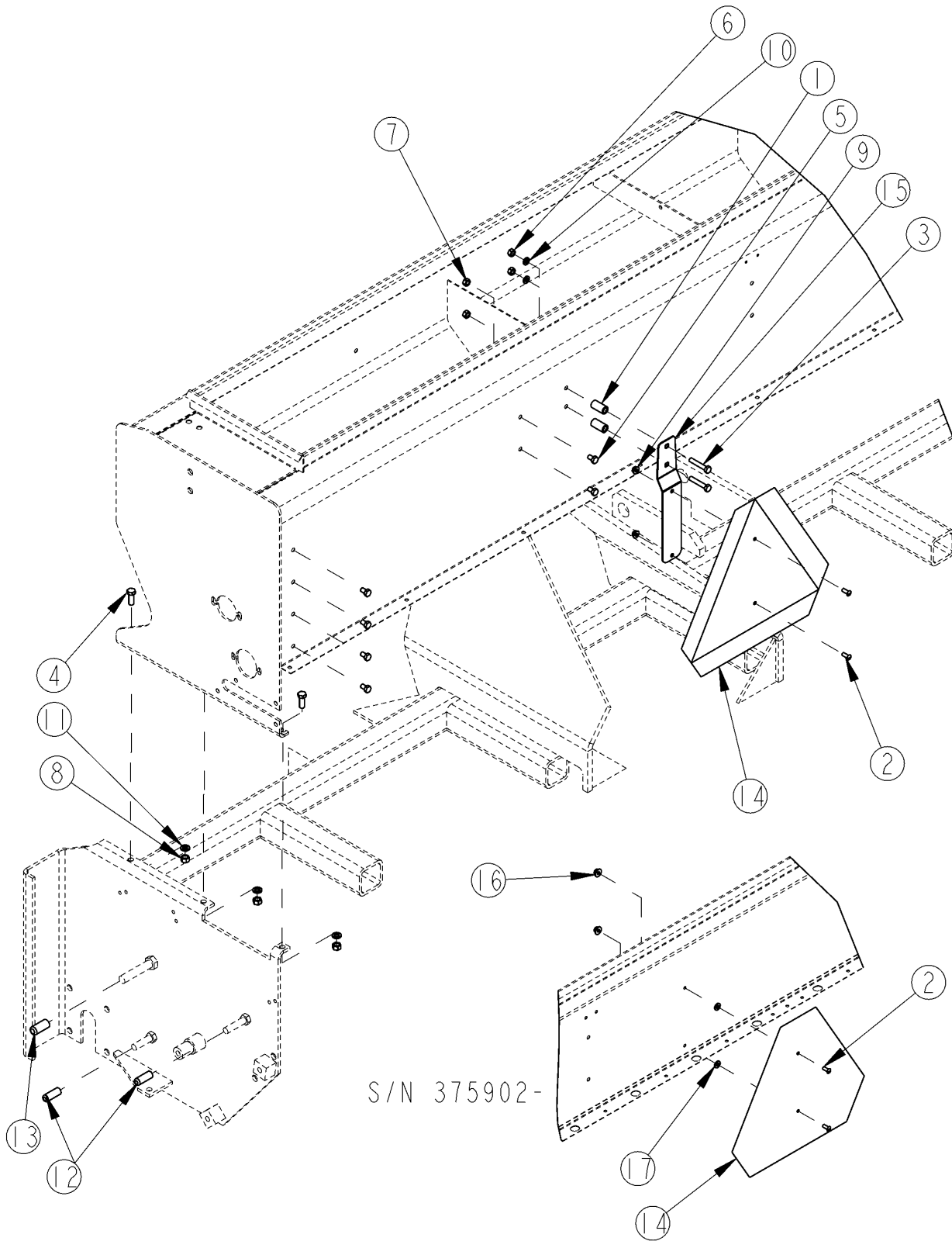
21296

Box Assembly S/N 397503 to _____**Applies to PS2096**

Ref	Part No.	Part Description	Comments	Revision
	dwg21296	Drawing Image Number		
1.	179-021D	LID LATCH - LOWER ARM		
2.	179-022D	LID LATCH - UPPER ARM		
3.	202-002H	19T SPEED CHANGE SPROCKET		
4.	308-193D	OVERSEEDER/PRIMARY SLING BRKT		
5.	308-394D	OS48/72 LID LATCH - HANDLE		
6.	313-252H	PS2096 AGITATOR WELDMENT		
7.	313-280H	PSN2096 NG BOX LID WELD		
8.	313-341H	PSN/PS2096 SEED BOX BOLTON		
9.	313-475D	NG LID LATCH STRIKE		
10.	313-643D	PS20 BOX END PLT COVER		
11.	313-645D	PS20 AGIATOR BRG BRKT		
12.	801-021C	SCREW RD HD 10-24 X 3/4 PLT		
13.	801-024C	SCREW 5/16-18X82DEG CNTSKX1P		
14.	802-007C	HHCS 5/16-18X3/4 GR5		
15.	802-010C	HHCS 5/16-18X1 1/4 GR5		
16.	802-078C	HHCS 1/4-20X5/8 GR5		
17.	802-167C	HHCS 1/4-20X1 1/2 GR5		
18.	802-224C	HHCS 1/4-20X1 1/4 GR5		
19.	802-258C	HHCS 1/2-13X1 GR5		
20.	802-282C	RHSNB 5/16-18X1 GR5		
21.	802-370C	HHCS 1/4-20X1 3/4 GR5		
22.	803-001C	NUT HEX 10-24 PLT		
23.	803-007C	NUT LOCK 1/4-20 PLT		
24.	803-008C	NUT HEX 5/16-18 PLT		
25.	803-011C	NUT LOCK 5/16-18 PLT		
26.	803-020C	NUT HEX 1/2-13 PLT		
27.	803-084C	NUT HEX NYLOCK 5/16-18 PLT		
28.	803-194C	NUT HEX WHIZ 1/4-20 PLT		
29.	804-004C	WASHER INTERNAL STAR #10 PLT		
30.	804-009C	WASHER LOCK SPRING 5/16 PLT		
31.	804-010C	WASHER FLAT 5/16 USS PLT		
32.	804-015C	WASHER LOCK SPRING 1/2 PLT		
33.	804-036C	WASHER FLAT 5/16 SAE PLT		
34.	804-056C	WASHER WAVE SPRING 5/16		
35.	817-033C	LID LATCH GRIP		
36.	817-443C	PLASTIC LID HINGE		
37.	817-467C	PS20 CEN AGIATOR BRG.		
38.	822-040C	BEARING 3/4BORE 47MM SPHERE OD		
39.	822-041C	FLANGETTE 47 MST		

Box To Frame To SMV Assembly

Applies to PS2096



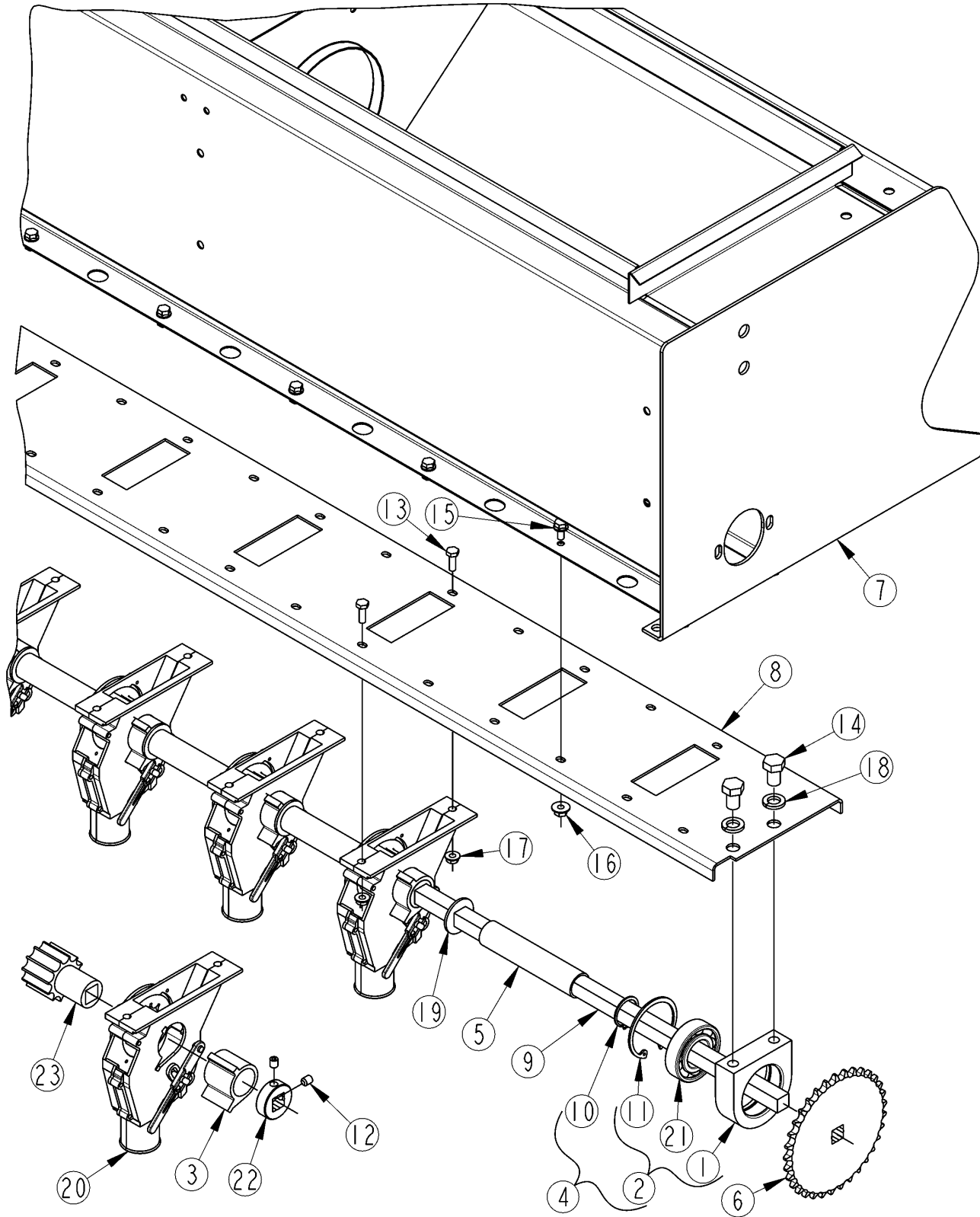
20752

Box To Frame To SMV Assembly**Applies to PS2096**

Ref	Part No.	Part Description	Comments	Revision
	dwg20752	Drawing Image Number		
1.	313-269D	SGS MOUNT SPACER	S/N 375903+	
2.	801-018C	SCREW RD HD 1/4-20 X 5/8		
3.	802-013C	HHCS 5/16-18X1 3/4 GR5	S/N 375903+	
4.	802-017C	HHCS 3/8-16X1 GR5		
5.	802-630C	HHCS 5/16-18X1/2 GR5		
6.	803-008C	NUT HEX 5/16-18 PLT	S/N 375903+	
7.	803-011C	NUT LOCK 5/16-18 PLT		
8.	803-014C	NUT HEX 3/8-16 PLT		
9.	803-194C	NUT HEX WHIZ 1/4-20 PLT		
10.	3804-009C	WASHER LOCK SPRING 5/16 PLT	S/N 375903+	
11.	804-013C	WASHER LOCK SPRING 3/8 PLT		
12.	817-505C	CAP PLUG .44ID X 1.5LG		
13.	817-506C	CAP PLUG .56ID X 1.5 LG		
14.	818-055C	DECAL SLOW MOVING-GALV. BACKED		
15.	890-153C	SMV MOUNTING BLADE	S/N 375903+	
16.	803-088C	NUT HEX LOCK 1/4-20 FLG	S/N 375902-	
17.	804-007C	WASHER FLAT 1/4 SAE PLT	S/N 375902-	

Seed Cup Assembly S/N 397502-

Applies to PS2096



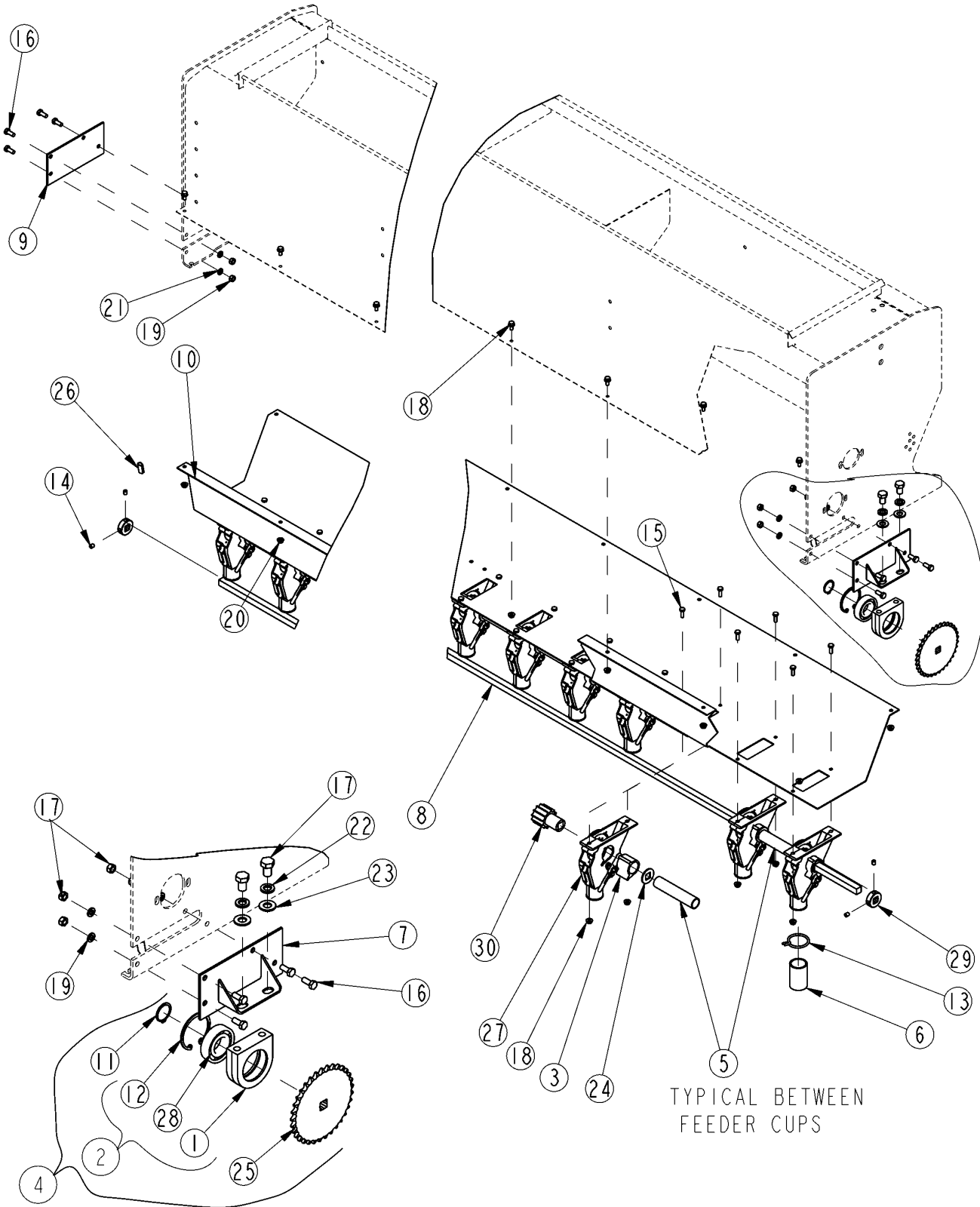
20750

Seed Cup Assembly S/N 397502-**Applies to PS2096**

Ref	Part No.	Part Description	Comments	Revision
	dwg20750	Drawing Image Number		
1.	176-006D	CUP DRIVE BRG. HOUSING		
2.	176-031V	CUP DRIVE BEARING HOUSING ASSY		
3.	308-022D	CUP SLEEVE		
4.	308-036S	33 T DRIVE SPROCKET ASSEMBLY		
5.	308-253D	SPACER TUBE 4.991		
6.	308-396D	SPKT 40A33 X .630 SQ BORE, PLT		
7.	313-307H	PS2096 SEED BOX WELD		
8.	313-423D	PS2096 FEEDERCUP CHANNEL		
9.	313-425D	FEEDERCUP SHAFT PS2096		
10.	800-004C	SNAP RING EXT BASIC 1.880		
11.	800-005C	RING FC HOUSING		
12.	801-035C	SCREW SET 5/16-18 SKT KP X 3/8		
13.	802-004C	HHCS 1/4-20X3/4 GR5		
14.	802-032C	HHCS 1/2-13X3/4 GR5		
15.	802-148C	HFSS 1/4-20X1/2 GR5		
16.	803-088C	NUT HEX LOCK 1/4-20 FLG		
17.	803-194C	NUT HEX WHIZ 1/4-20 PLT		
18.	804-015C	WASHER LOCK SPRING 1/2 PLT		
19.	804-031C	WASHER RETAINING		
20.	817-094C	SEED CUP ASSEMBLY-1 1/4		
21.	822-059C	BEARING 206PP 30MM		
22.	890-350C	5/8 SHAFT LOCKING COLLAR		
23.	890-595C	SPROCKET SHORT POWDERED METAL		

Seed Cup Assembly S/N 397503+

Applies to PS2096



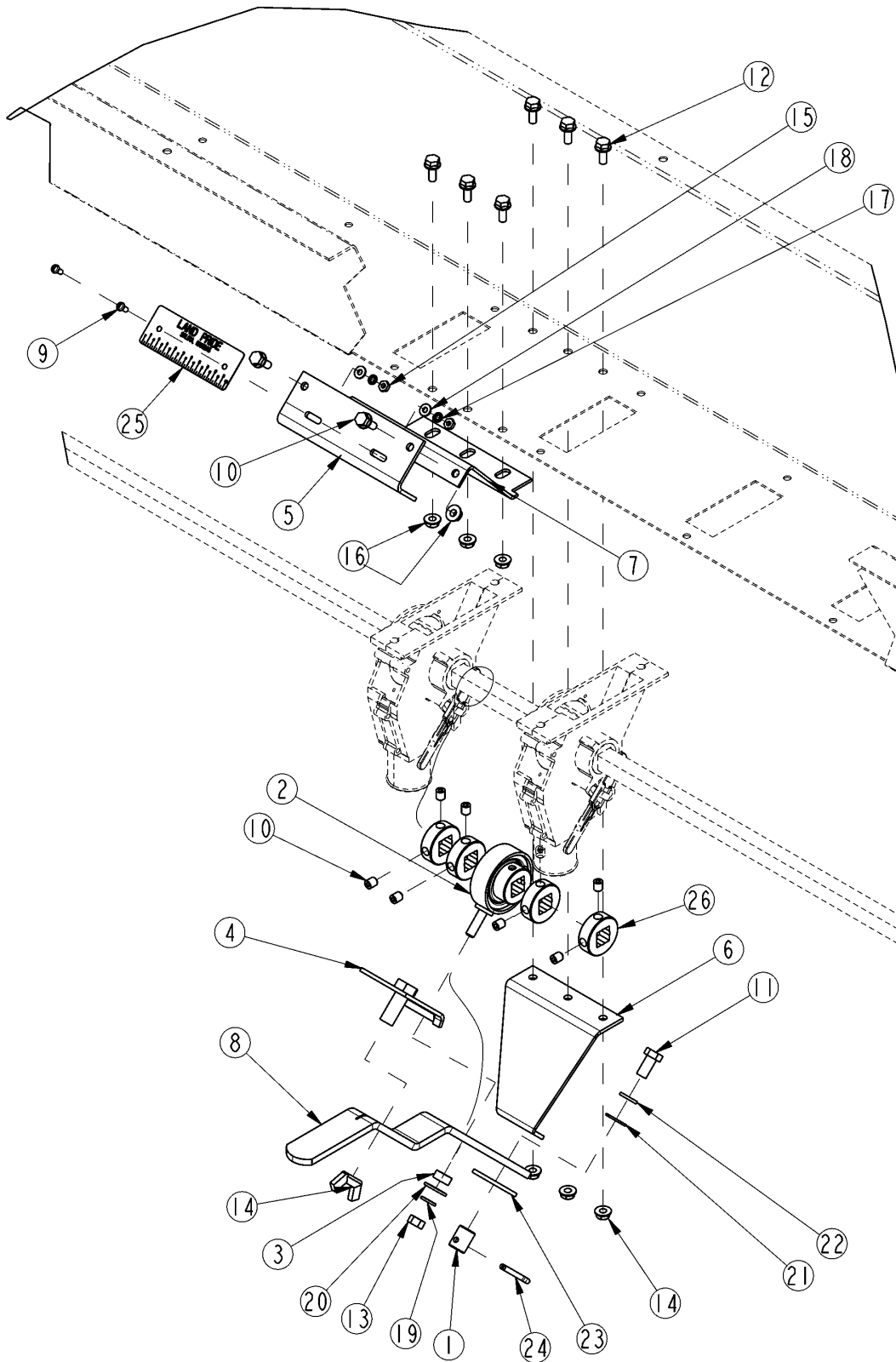
21297

Seed Cup Assembly S/N 397503+**Applies to PS2096**

Ref	Part No.	Part Description	Comments	Revision
	dwg21297	Drawing Image Number		
1.	176-006D	CUP DRIVE BRG. HOUSING		
2.	176-031V	CUP DRIVE BRG HOUSING ASSY		
3.	308-022D	CUP SLEEVE		
4.	308-036S	33 T DRIVE SPROCKET ASSEMBLY		
5.	308-253D	SPACER TUBE 4.991		
6.	313-049D	TUBE, ALIGNMENT SEED DROP	S/N 518721+	
7.	313-345H	BRACKET PS20 SEED CUP		
8.	313-425D	FEEDERCUP SHAFT PS2096		
9.	313-644D	PS20 LH END PLT COVER		
10.	313-647D	PS20 BOLTON SEED TRAY		
11.	800-004C	SNAP RING EXT BASIC 1.880		
12.	800-005C	RING FC HOUSING		
13.	800-108C	CLAMP HOSE 1 3/4 #28	S/N 518721+	
14.	801-035C	SCREW SET 5/16-18 SKT KP X 3/8		
15.	802-004C	HHCS 1/4-20X3/4 GR5		
16.	802-007C	HHCS 5/16-18X3/4 GR5		
17.	802-032C	HHCS 1/2-13X3/4 GR5		
18.	802-148C	HFSS 1/4-20X1/2 GR5		
19.	803-008C	NUT HEX 5/16-18 PLT		
20.	803-194C	NUT HEX WHIZ 1/4-20 PLT		
21.	804-009C	WASHER LOCK SPRING 5/16 PLT		
22.	804-015C	WASHER LOCK SPRING 1/2 PLT		
23.	804-016C	WASHER FLAT 1/2 SAE PLT		
24.	804-031C	WASHER RETAINING		
25.	808-247C	SPKT 40A33 X .630 SQ BORE		
26.	816-004C	VINYL SEAL 3/8 X 1/2 (PER FT)		
27.	817-094C	SEED CUP ASSEMBLY-1 1/4		
28.	822-059C	BRG BALL 1.18IDX2.44OD 206PP		
29.	890-350C	5/8 SHAFT LOCKING COLLAR		
30.	890-595C	SPROCKET SHORT POWDERED METAL		

Seed Rate Adjustment Handle S/N 397503+

Applies to PS2096



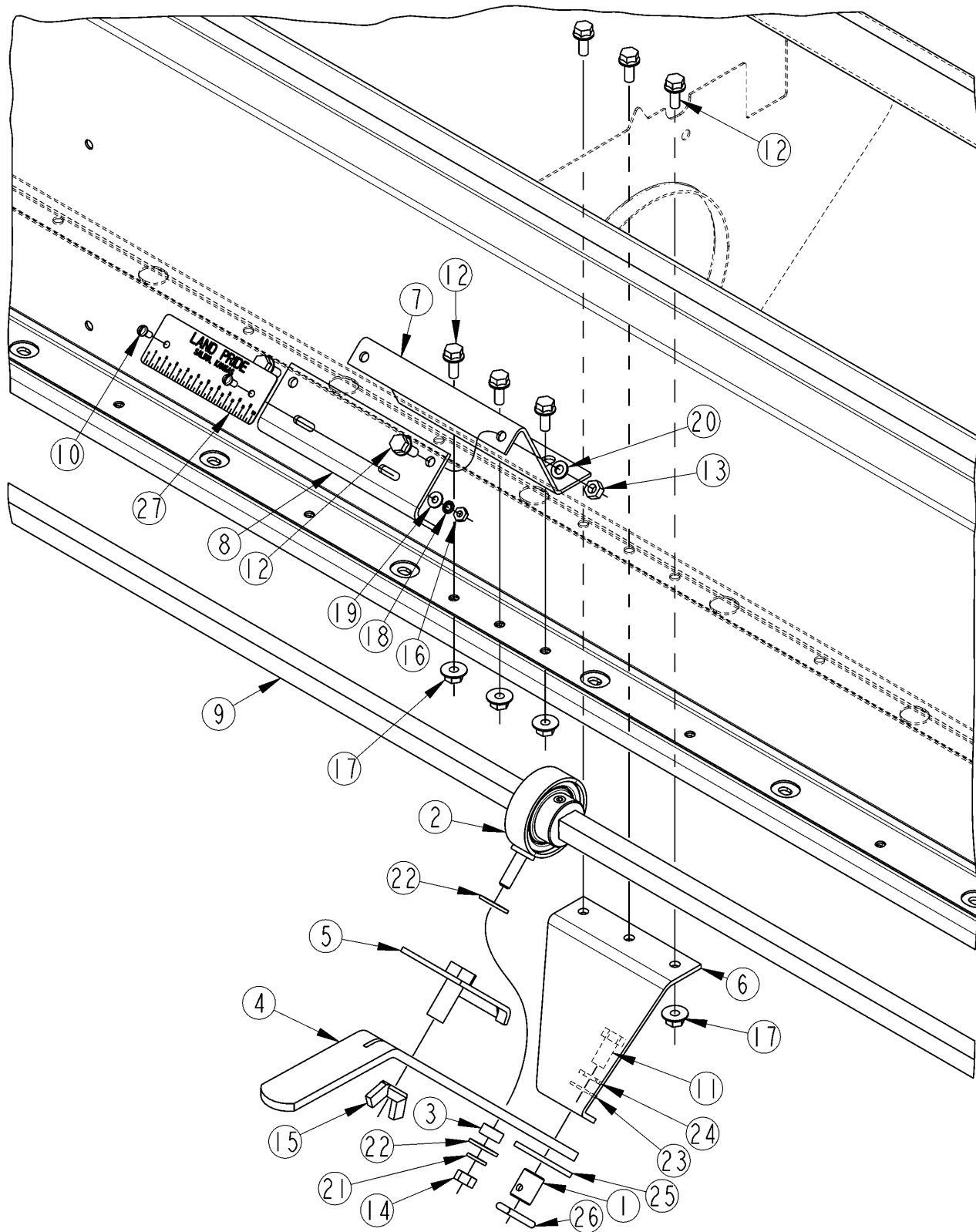
21298

Seed Rate Adjustment Handle S/N 397503+**Applies to PS2096**

Ref	Part No.	Part Description	Comments	Revision
	dwg21298	Drawing Image Number		
1.	109-069D	ADJUSTMENT HANDLE PIVOT		
2.	308-004S	COLAR ADJUSTMENT ASY		
3.	308-015D	SEED ADJ BEARING PIVOT TUBE		
4.	308-334H	OS ADJ LOCK PLATE ASSY 1 1/2 W		
5.	313-056D	SEED GAUGE PLT. MTG		
6.	313-499D	PS20 NG PIVOT MTG-ADJ HANDLE		
7.	313-500D	PS20 NG GAUGE MTG PLATE		
8.	313-501D	PS20 STD SEED ADJ HANDLE		
9.	801-001C	SCREW RD HD 8-32 X 3/8 BRASS		
10.	801-035C	SCREW SET 5/16-18 SKT KP X 3/8		
11.	802-014C	HHCS 3/8-16X3/4 GR5		
12.	802-196C	HFSS 1/4-20X5/8 GR5		
13.	803-008C	NUT HEX 5/16-18 PLT		
14.	803-016C	NUT WING 1/2-13 PLT		
15.	803-035C	NUT HEX 8-32 BRASS		
16.	803-194C	NUT HEX WHIZ 1/4-20 PLT		
17.	804-002C	WASHER INTERNAL STAR #8 BRASS		
18.	804-003C	WASHER FLAT #8 BRASS		
19.	804-009C	WASHER LOCK SPRING 5/16 PLT		
20.	804-010C	WASHER FLAT 5/16 USS PLT		
21.	804-012C	WASHER FLAT 3/8 SAE PLT		
22.	804-013C	WASHER LOCK SPRING 3/8 PLT		
23.	804-019C	WASHER FLAT 5/8 USS PLT		
24.	805-016C	PIN COTTER 3/16 X 1 1/4 PLT		
25.	819-086C	NAME PLATE ADJ. GUIDE SHORT		
26.	890-350C	5/8 SHAFT LOCKING COLLAR		

Seed Rate Handle Assembly S/N 397502-

Applies to PS2096



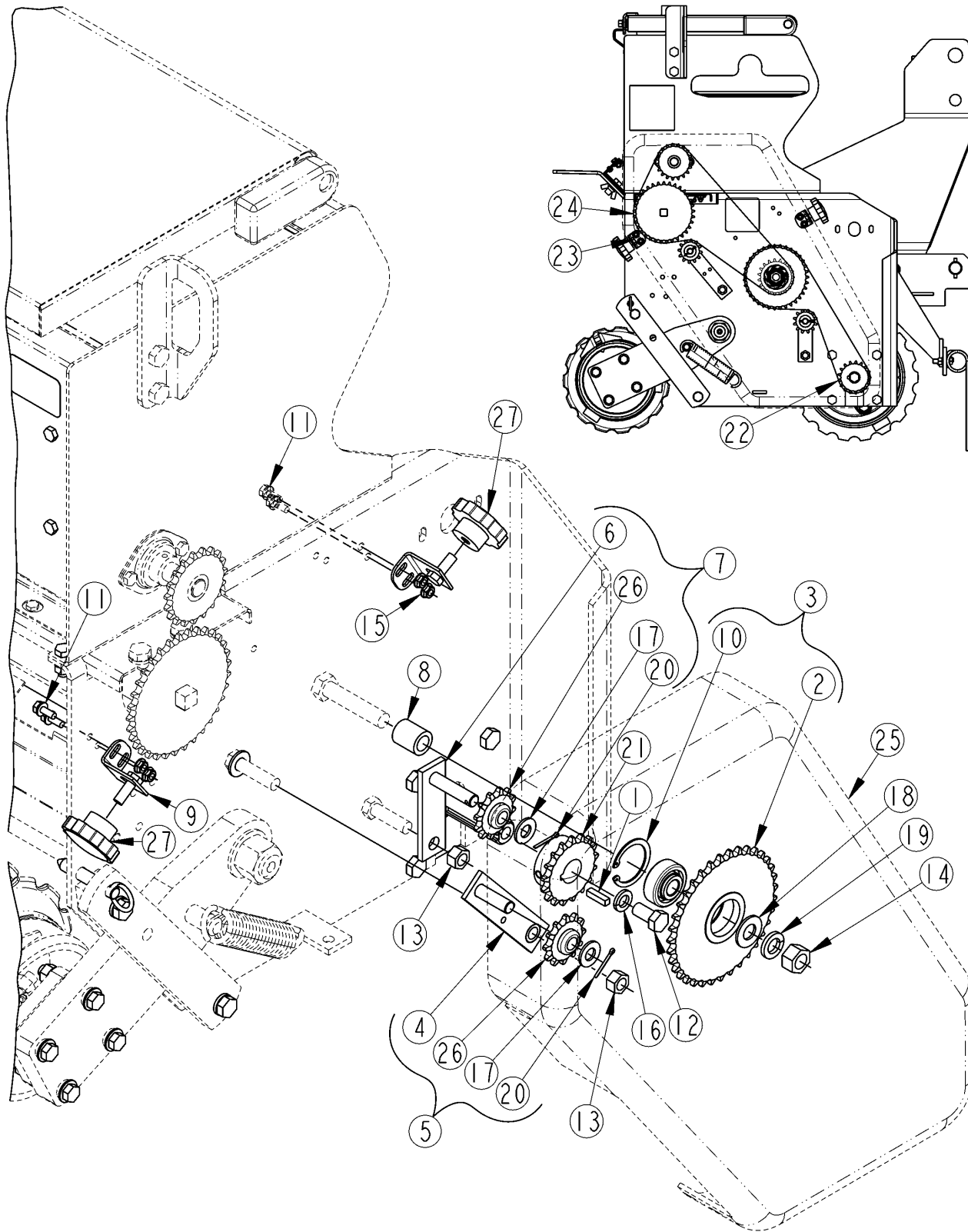
20751

Seed Rate Handle Assembly S/N 397502-**Applies to PS2096**

Ref	Part No.	Part Description	Comments	Revision
	dwg20751	Drawing Image Number		
1.	109-069D	ADJUSTMENT HANDLE PIVOT		
2.	308-004S	COLAR ADJUSTMENT ASY		
3.	308-015D	SEED ADJ BEARING PIVOT TUBE		
4.	308-306D	SEED RATE ADJ HANDLE BENT		
5.	308-334H	OS ADJ LOCK PLATE ASSY 1 1/2 W		
6.	313-054D	PIVOT MTG ADJ HANDLE		
7.	313-055D	GAUGE MTG PLATE		
8.	313-056D	SEED GAUGE PLT. MTG		
9.	313-425D	FEEDERCUP SHAFT PS2096		
10.	801-001C	SCREW RD HD 8-32 X 3/8 BRASS		
11.	802-014C	HHCS 3/8-16X3/4 GR5		
12.	802-196C	HFSS 1/4-20X5/8 GR5		
13.	803-006C	NUT HEX 1/4-20 PLT		
14.	803-008C	NUT HEX 5/16-18 PLT		
15.	803-016C	NUT WING 1/2-13 PLT		
16.	803-035C	NUT HEX 8-32 BRASS		
17.	803-088C	NUT HEX LOCK 1/4-20 FLG		
18.	804-002C	WASHER INTERNAL STAR #8 BRASS		
19.	804-003C	WASHER FLAT #8 BRASS		
20.	804-006C	WASHER LOCK SPRING 1/4 PLT		
21.	804-009C	WASHER LOCK SPRING 5/16 PLT		
22.	804-010C	WASHER FLAT 5/16 USS PLT		
23.	804-012C	WASHER FLAT 3/8 SAE PLT		
24.	804-013C	WASHER LOCK SPRING 3/8 PLT		
25.	804-019C	WASHER FLAT 5/8 USS PLT		
26.	805-016C	PIN COTTER 3/16 X 1 1/4 PLT		
27.	819-086C	NAME PLATE ADJ. GUIDE SHORT		

Drive Assembly

Applies to PS2096



20753

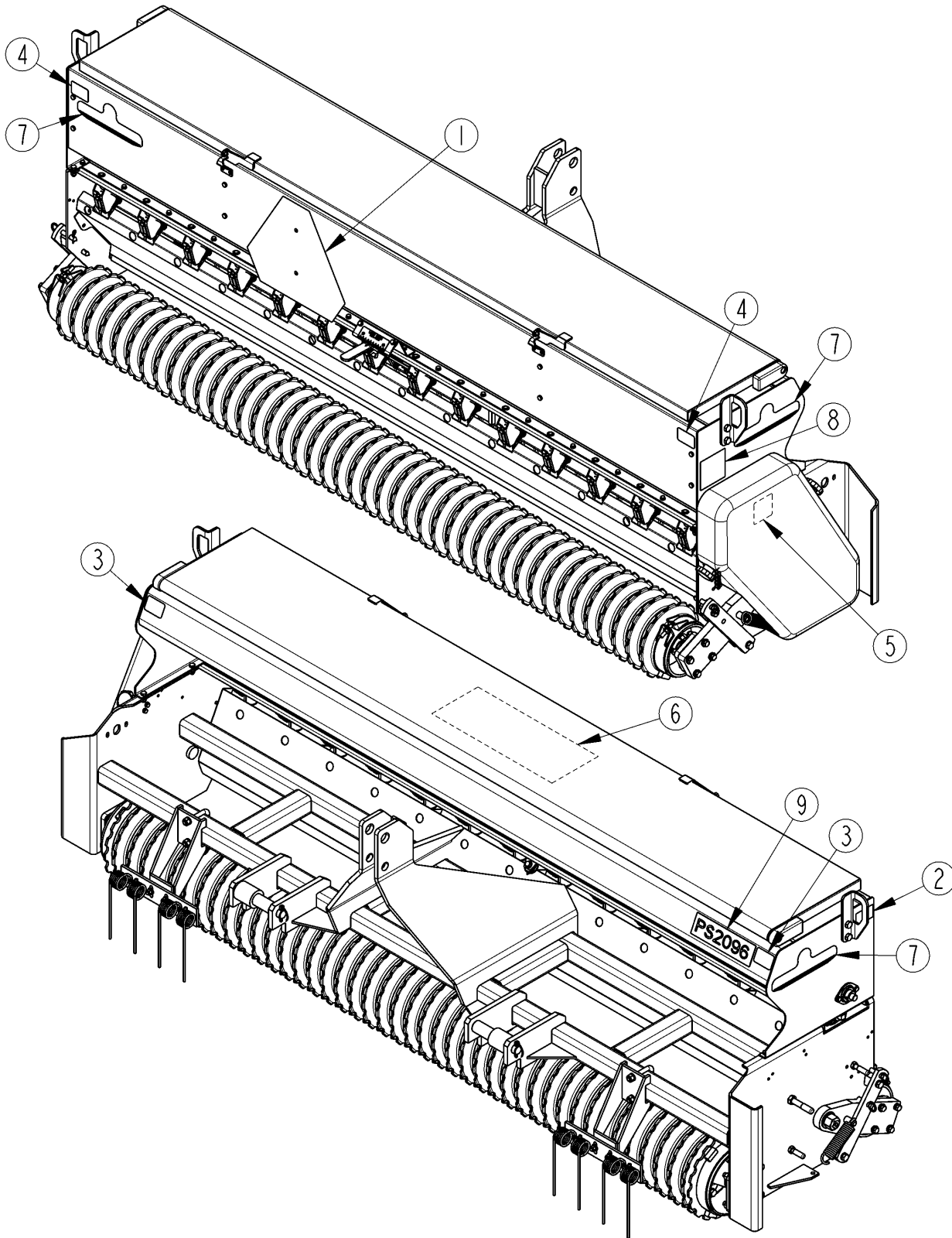
Drive Assembly

Applies to PS2096

Ref	Part No.	Part Description	Comments	Revision
	dwg20753	Drawing Image Number		
1.	123-004D	KEY 1/4 X 1		
2.	308-024H	OVERSEEDER SPEED CHANGE SPRKT		
3.	308-041K	SPEED CHG SPROCKET ASSEMBLY		
4.	308-107H	DRIVE IDLER ARM		
5.	308-128S	LOWER CHAIN TENSIONER ASSY		
6.	313-015H	LOWER IDLER ARM		
7.	313-021S	LOWER IDLER ARM SUB		
8.	313-029D	SPEED CHANGE SPACER		
9.	313-182H	PS25120 CHAIN GUARD MTG.-LG.		
10.	800-070C	SNAP RING INT 1.812		
11.	802-196C	HFSS 1/4-20X5/8 GR5		
12.	802-240C	HHCS 1/2-20X1 GR5		
13.	803-019C	NUT LOCK 1/2-13 PLT		
14.	803-021C	NUT HEX 5/8-11 PLT		
15.	803-194C	NUT HEX WHIZ 1/4-20 PLT		
16.	804-015C	WASHER LOCK SPRING 1/2 PLT		
17.	804-016C	WASHER FLAT 1/2 SAE PLT		
18.	804-021C	WASHER FLAT 5/8 SAE PLT		
19.	804-022C	WASHER LOCK SPRING 5/8 PLT		
20.	805-064C	PIN COTTER 7/64 X 1 LONG		
21.	808-159C	SPKT 40B17 X 1 BORE W/KW & SS		
22.	809-078C	CHAIN #40 X 64 PITCHES		
23.	809-138C	CHAIN RL #40 X 84 PITCH W/CON		
24.	809-151C	CHAIN RL #40 X 10 PITCH W/CON		
25.	816-408C	PS2096 CHAIN COVER		
25.	816-363C	RPBY 816-408C		
26.	817-025C	NO. 40 12T IDLER SPKT.		
27.	817-259C	KNOB 3/8-16 FEMALE THD 2 3/8OD		

Label Placement (Part 1)

Applies to PS2096



20754

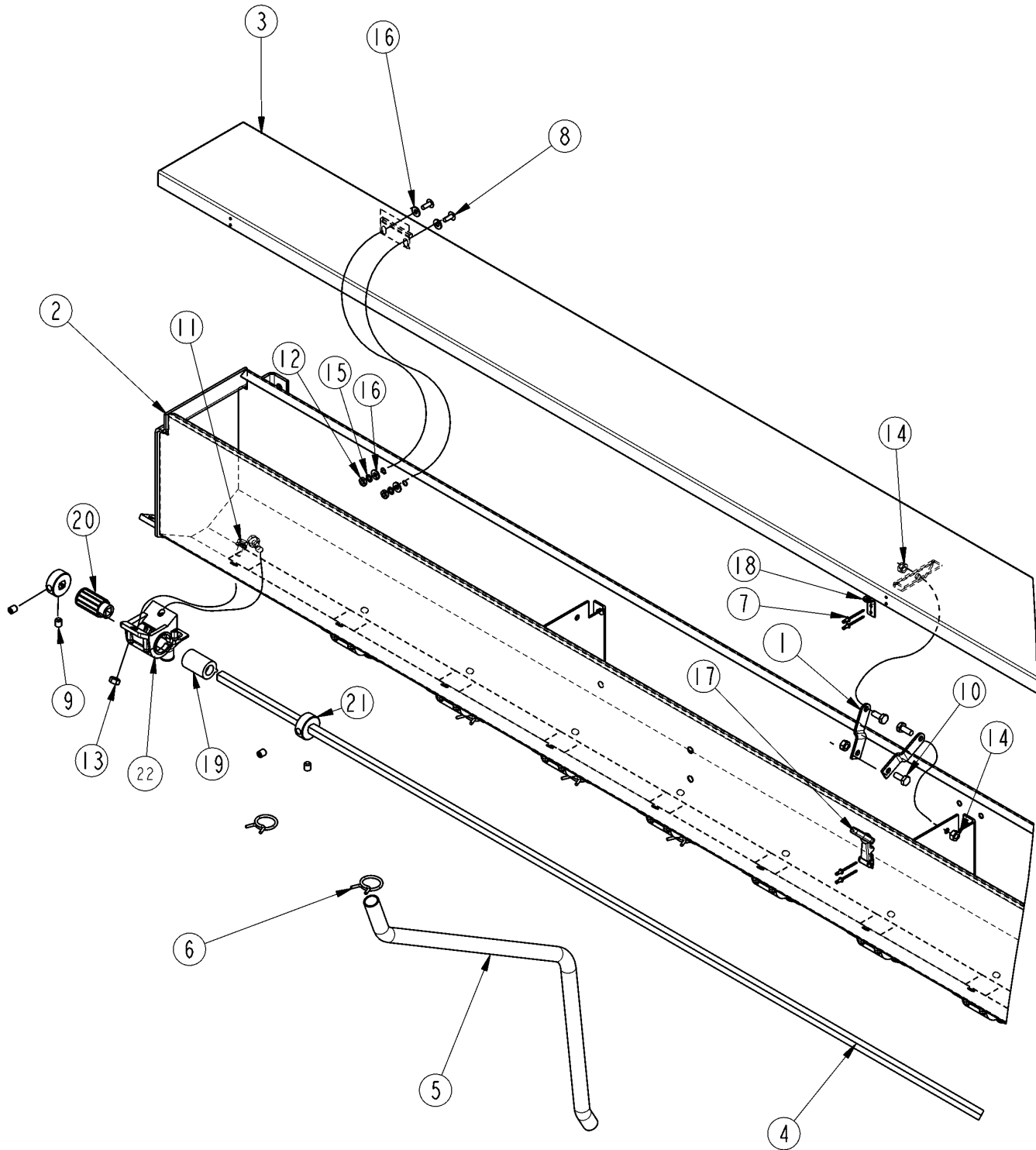
Label Placement (Part 1)

Applies to PS2096

Ref	Part No.	Part Description	Comments	Revision
	dwg20754	Drawing Image Number PS2096 DECAL PACKAGE		
1.	818-055C	DECAL SLOW MOVING-GALV. BACKED		
2.	818-190C	DECAL FLAG		
3.	818-229C	DECAL AMBER REFLECTOR		
4.	818-230C	DECAL RED REFLECTOR		
5.	818-543C	DECAL DANGER PD GUARD MISS SML		
6.	818-869C	DECAL OS/PS SEED RATE		
7.	818-890C	DECAL LP W/TREE 10" - 2 COLOR		
8.	838-111C	DECAL DANGER MOVING PARTS		
9.	838-334C	DECAL PS2096-BROWN		

Small Grass Seed Box Assembly S/N 397503+

Applies to PS2096



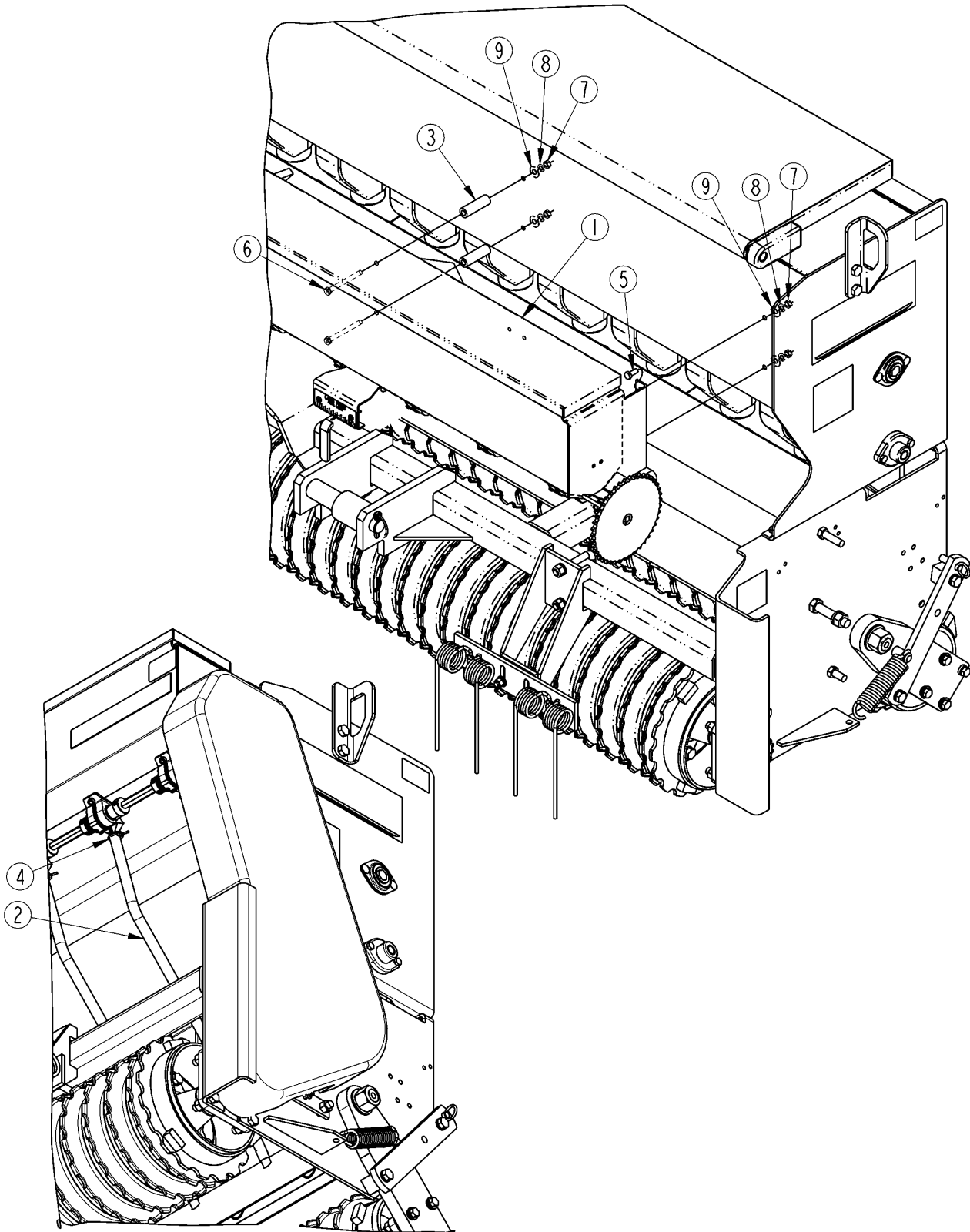
20626

Small Grass Seed Box Assembly S/N 397503+**Applies to PS2096**

Ref	Part No.	Part Description	Comments	Revision
	dwg20626	Drawing Image Number		
1.	123-356D	10' EWNT SGS LID LATCH		
2.	313-284H	PS2096 SGS BOX WELD		
3.	313-285H	PS2096 SGS LID WELDMENT		
4.	313-506D	PS2096 SGS CUP SHAFT		
5.	313-631D	PS20 SEED DROP HOSE		
6.	800-029C	CLAMP HOSE GRASS SEED		
7.	800-101C	RIVET POP 1/8 .125 AD42BSLF		
8.	801-003C	SCREW RD HD SLT 10-24X1/2 PLT		
9.	801-035C	SCREW SET 5/16-18 SKT KP X 3/8		
10.	802-078C	HHCS 1/4-20X5/8 GR5		
11.	802-148C	HFSS 1/4-20X1/2 GR5		
12.	803-001C	NUT HEX 10-24 PLT		
13.	803-006C	NUT HEX 1/4-20 PLT		
14.	803-007C	NUT LOCK 1/4-20 PLT		
15.	804-004C	WASHER INTERNAL STAR #10 PLT		
16.	804-046C	WASHER FLAT #10 SAE PLT		
17.	816-112C	RUBBER LATCH 37-11-065-10		
18.	816-113C	LATCH KEEPER 37-15-061-17		
19.	817-009C	GRASS SEEDER SLEEVE		
20.	817-010C	GRASS SEEDER SPROCKET		
21.	890-349C	3/8 SHAFT LOCKING COLLAR		
22.	817-504C	SML SEED FEEDER CUP ASSY		

Small Grass Seed Box To Main Box Assemble S/N 397503+

Applies to PS2096



20632

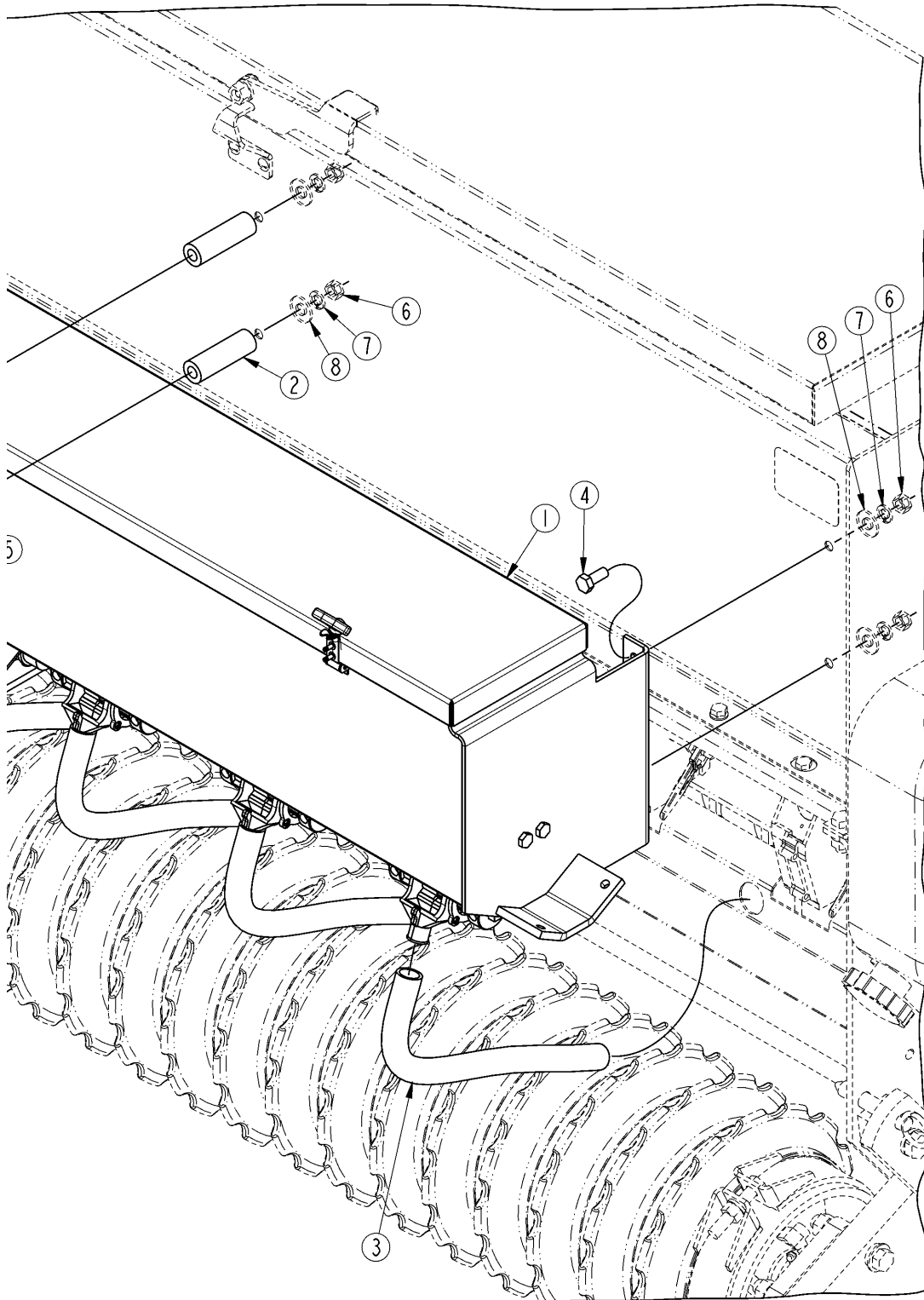
Small Grass Seed Box To Main Box Assemble S/N 397503+

Applies to PS2096

Ref	Part No.	Part Description	Comments	Revision
	dwg20632	Drawing Image Number		
1.	313-286L	PSN2096 SGS BOX SUB		
2.	313-525D	PS20 SMALL SEED DROP HOSE		
3.	313-536D	SMALL SEED BOX MTG SPACER		
4.	800-029C	CLAMP HOSE GRASS SEED		
5.	802-007C	HHCS 5/16-18X3/4 GR5		
6.	802-390C	HHCS 5/16-18X3 1/4 GR5		
7.	803-008C	NUT HEX 5/16-18 PLT		
8.	804-009C	WASHER LOCK SPRING 5/16 PLT		
9.	804-010C	WASHER FLAT 5/16 USS PLT		

Small Grass Seed Box To Main Box Assembly S/N 397502-

Applies to PS2096



1	313-1
2	313-1
3	313-1
4	802-1
5	802-1
6	803-1
7	804-1
8	804-1

20757

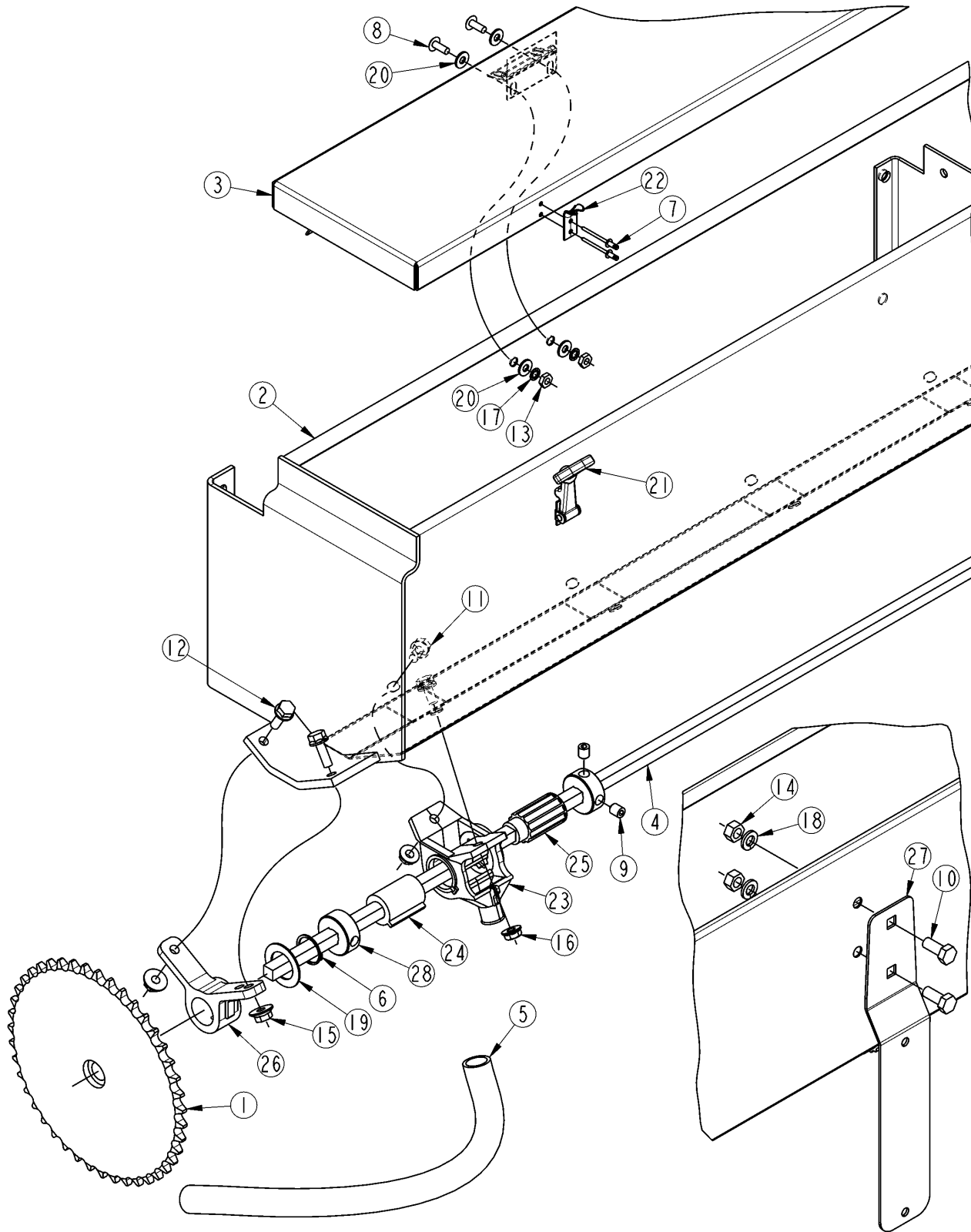
Small Grass Seed Box To Main Box Assembly S/N 397502-

Applies to PS2096

Ref	Part No.	Part Description	Comments	Revision
	dwg20757	Drawing Image Number		
1.	313-319L	PS2096 SGS BOX SUB		
2.	313-536D	SMALL SEED BOX MTG SPACER		
3.	313-550D	PS20 SGS HOSE		
4.	802-007C	HHCS 5/16-18X3/4 GR5		
5.	802-390C	HHCS 5/16-18X3 1/4 GR5		
6.	803-008C	NUT HEX 5/16-18 PLT		
7.	804-009C	WASHER LOCK SPRING 5/16 PLT		
8.	804-010C	WASHER FLAT 5/16 USS PLT		

Small Grass Seed Cup And Box Assembly S/N 397502-

Applies to PS2096



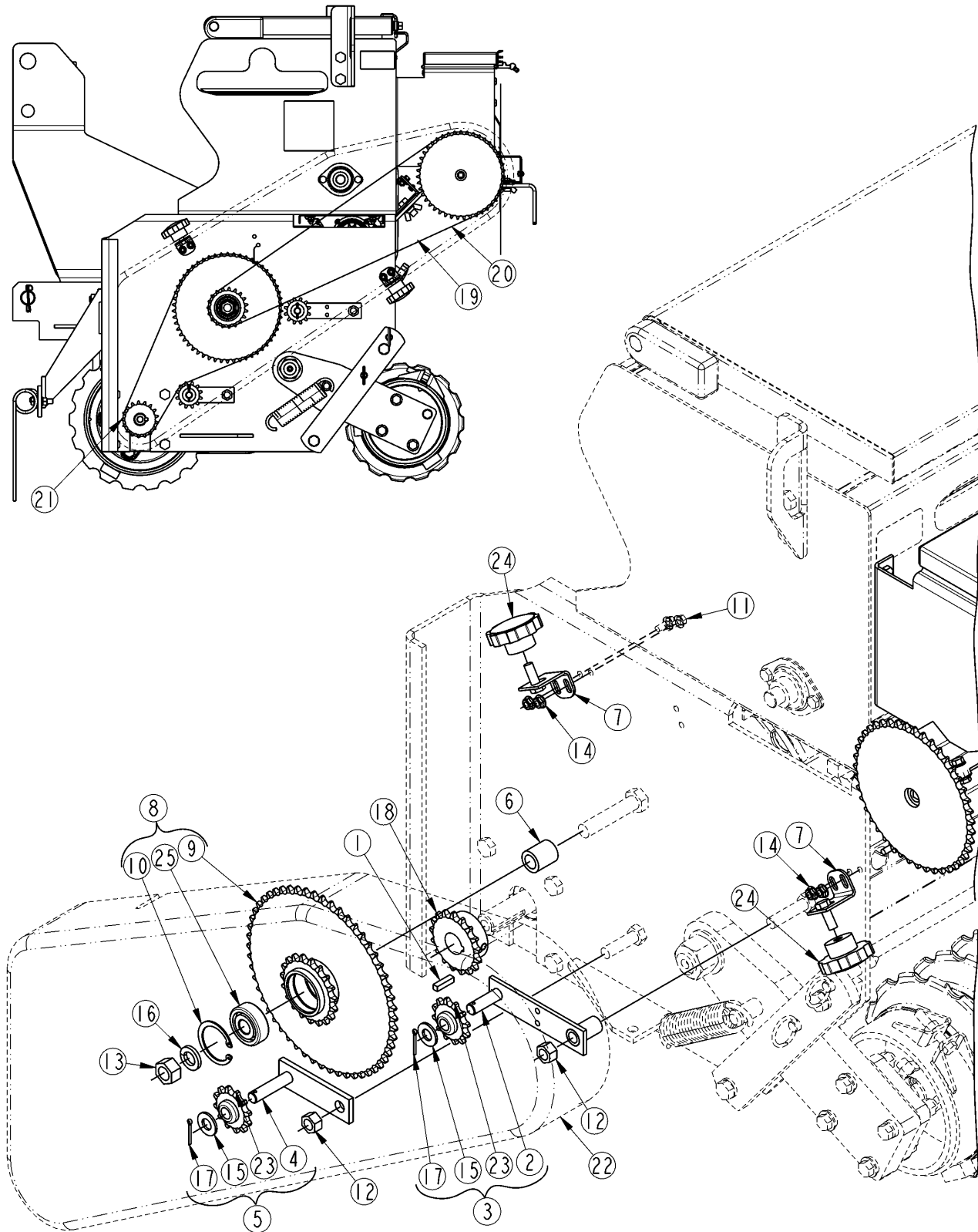
20755

Small Grass Seed Cup And Box Assembly S/N 397502-**Applies to PS2096**

Ref	Part No.	Part Description	Comments	Revision
	dwg20755	Drawing Image Number		
1.	308-230H	SSB BOX DRIVE SPROCKET 43T		
2.	313-284H	PS2096 SGS BOX WELD		
3.	313-285H	PS2096 SGS LID WELDMENT		
4.	313-506D	PS2096 SGS CUP SHAFT		
5.	313-550D	PS20 SGS HOSE		
6.	800-028C	SNAP RING .875		
7.	800-101C	RIVET POP 1/8 .125 AD42BSLF		
8.	801-003C	SCREW RD HD SLT 10-24X1/2 PLT		
9.	801-035C	SCREW SET 5/16-18 SKT KP X 3/8		
10.	802-007C	HHCS 5/16-18X3/4 GR5		
11.	802-148C	HFSS 1/4-20X1/2 GR5		
12.	802-257C	HFSS 1/4-20X3/4 GR5		
13.	803-001C	NUT HEX 10-24 PLT		
14.	803-008C	NUT HEX 5/16-18 PLT		
15.	803-088C	NUT HEX LOCK 1/4-20 FLG		
16.	803-194C	NUT HEX WHIZ 1/4-20 PLT		
17.	804-004C	WASHER INTERNAL STAR #10 PLT		
18.	804-009C	WASHER LOCK SPRING 5/16 PLT		
19.	804-044C	WASHER MACH 1.38 X .876 X .048		
20.	804-046C	WASHER FLAT #10 SAE PLT		
21.	816-112C	RUBBER LATCH 37-11-065-10		
22.	816-113C	LATCH KEEPER 37-15-061-17		
23.	817-008C	GRASS SEEDER CUP ASSEMBLY		
24.	817-009C	GRASS SEEDER SLEEVE		
25.	817-010C	GRASS SEEDER SPROCKET		
26.	817-026C	DRIVE SPROCKET HANGER BEARING		
27.	890-153C	SMV MOUNTING BLADE		
28.	890-349C	3/8 SHAFT LOCKING COLLAR		

Small Grass Seed Drive S/N 397502-

Applies to PS2096



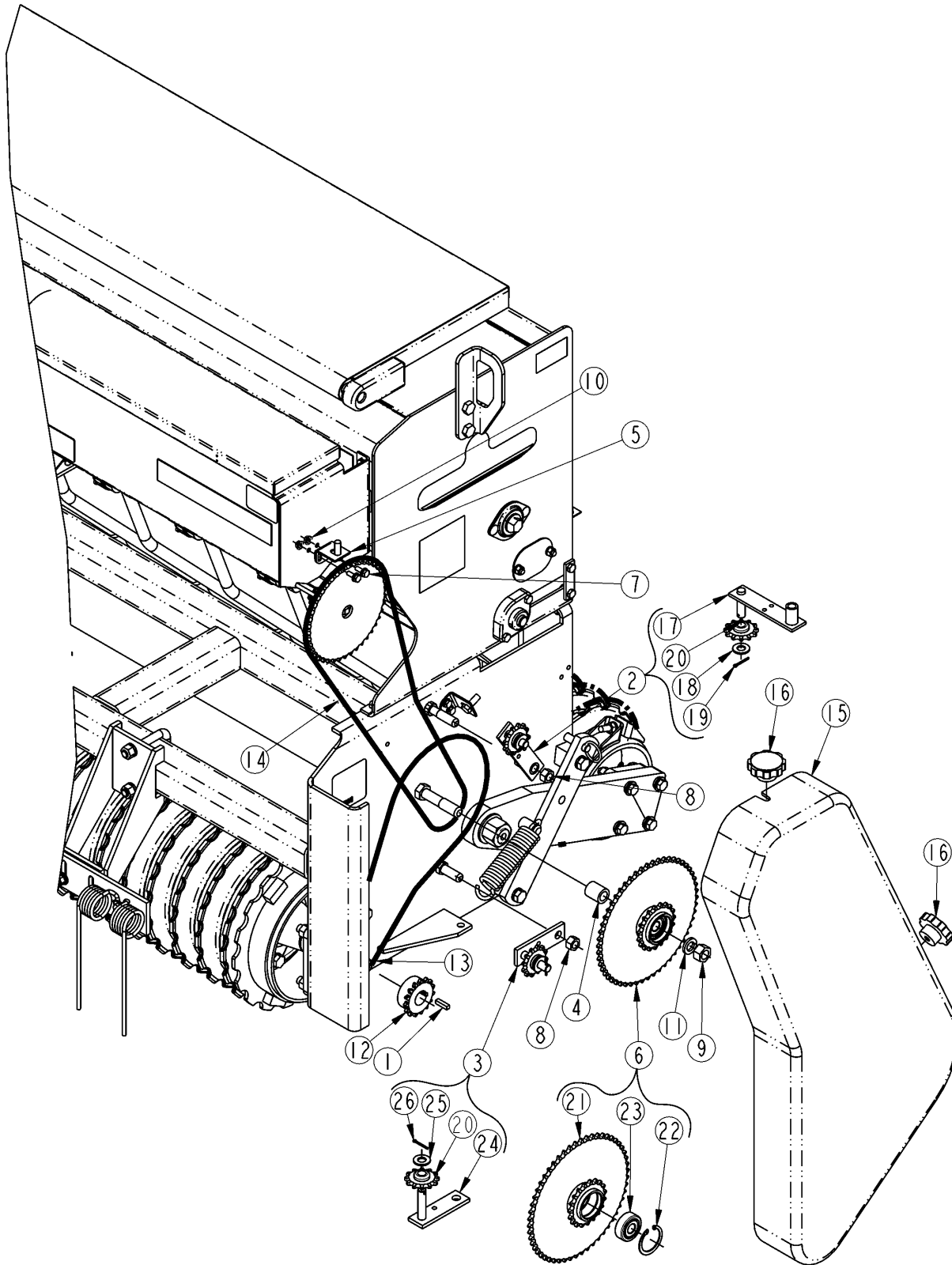
20758

Small Grass Seed Drive S/N 397502-**Applies to PS2096**

Ref	Part No.	Part Description	Comments	Revision
	dwg20758	Drawing Image Number		
1.	123-004D	KEY 1/4 X 1		
2.	308-107H	DRIVE IDLER ARM		
3.	308-128S	LOWER CHAIN TENSIONER ASSY		
4.	313-015H	LOWER IDLER ARM		
5.	313-021S	LOWER IDLER ARM SUB		
6.	313-029D	SPEED CHANGE SPACER		
7.	313-182H	PS25120 CHAIN GUARD MTG.-LG.		
8.	313-317K	REDUCTION SPROCKET ASSY		
9.	313-318H	REDUCTION SPROCKET WELD		
10.	800-070C	SNAP RING INT 1.812		
11.	802-196C	HFSS 1/4-20X5/8 GR5		
12.	803-019C	NUT LOCK 1/2-13 PLT		
13.	803-021C	NUT HEX 5/8-11 PLT		
14.	803-194C	NUT HEX WHIZ 1/4-20 PLT		
15.	804-016C	WASHER FLAT 1/2 SAE PLT		
16.	804-022C	WASHER LOCK SPRING 5/8 PLT		
17.	805-064C	PIN COTTER 7/64 X 1 LONG		
18.	808-159C	SPKT 40B17 X 1 BORE W/KW & SS		
19.	809-070C	CHAIN CONNECTOR LINK #40 OFFST		
20.	809-115C	#40 CHAIN 60 PITCH W/CON.		
21.	809-138C	CHAIN RL #40 X 84 PITCH W/CON		
22.	816-375C	PS20 SGS DRIVE COVER		
23.	817-025C	NO. 40 12T IDLER SPKT.		
24.	817-259C	KNOB 3/8-16 FEMALE THD 2 3/8OD		
25.	822-067C	BEARING 204 DOUBLE SEAL DD		

Small Grass Seed Drive S/N 397503+

Applies to PS2096



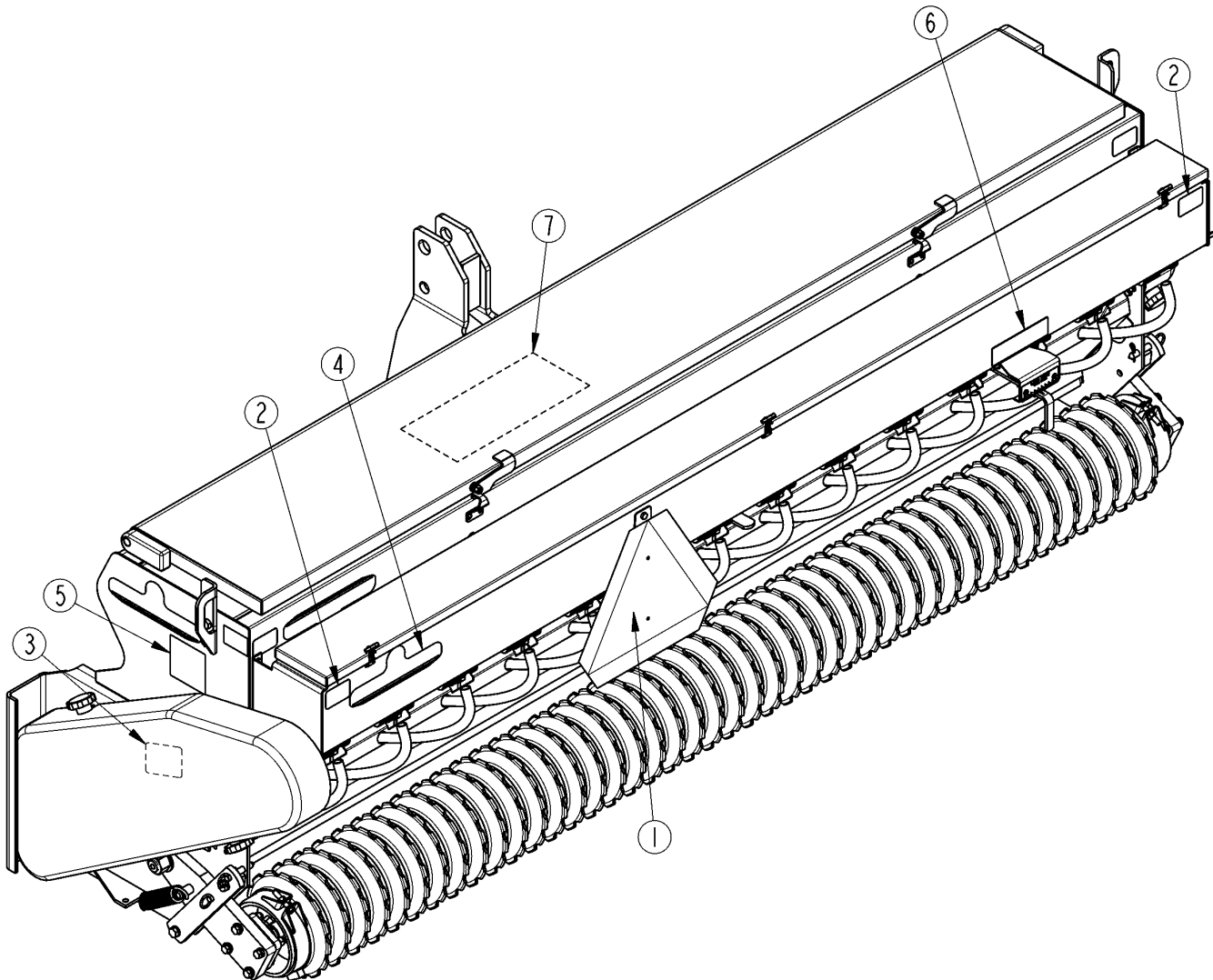
20633

Small Grass Seed Drive S/N 397503+**Applies to PS2096**

Ref	Part No.	Part Description	Comments	Revision
	dwg20633	Drawing Image Number		
1.	123-004D	KEY 1/4 X 1		
2.	308-128S	LOWER CHAIN TENSIONER ASSY		
3.	313-021S	LOWER IDLER ARM SUB		
4.	313-029D	SPEED CHANGE SPACER		
5.	313-182H	PS25120 CHAIN GUARD MTG.-LG.		
6.	313-317K	REDUCTION SPROCKET ASSY		
7.	802-196C	HFSS 1/4-20X5/8 GR5		
8.	803-020C	NUT HEX 1/2-13 PLT		
9.	803-021C	NUT HEX 5/8-11 PLT		
10.	803-194C	NUT HEX WHIZ 1/4-20 PLT		
11.	804-022C	WASHER LOCK SPRING 5/8 PLT		
12.	808-062C	SPKT 40B15 X 1 B W/KW & SS		
13.	809-223C	CHAIN #40 82 PITCH W/CON		
14.	809-224C	CHAIN #40 118 PITCH W/CON		
15.	816-374C	PSN SGS DRIVE COVER		
16.	817-259C	KNOB 3/8-16 FEMALE THD 2 3/8OD		
17.	308-107H	DRIVE IDLER ARM		
18.	804-016C	WASHER FLAT 1/2 SAE PLT		
19.	805-064C	PIN COTTER 7/64 X 1 LONG		
20.	817-025C	NO. 40 12T IDLER SPKT.		
21.	313-318H	REDUCTION SPROCKET WELD		
22.	800-070C	SNAP RING INT 1.812		
23.	822-067C	BEARING 204 DOUBLE SEAL DD		
24.	313-015H	LOWER IDLER ARM		
25.	804-016C	WASHER FLAT 1/2 SAE PLT		
26.	805-064C	PIN COTTER 7/64 X 1 LONG		

Small Grass Seed Label Placement S/N 397502-

Applies to PS2096



20759

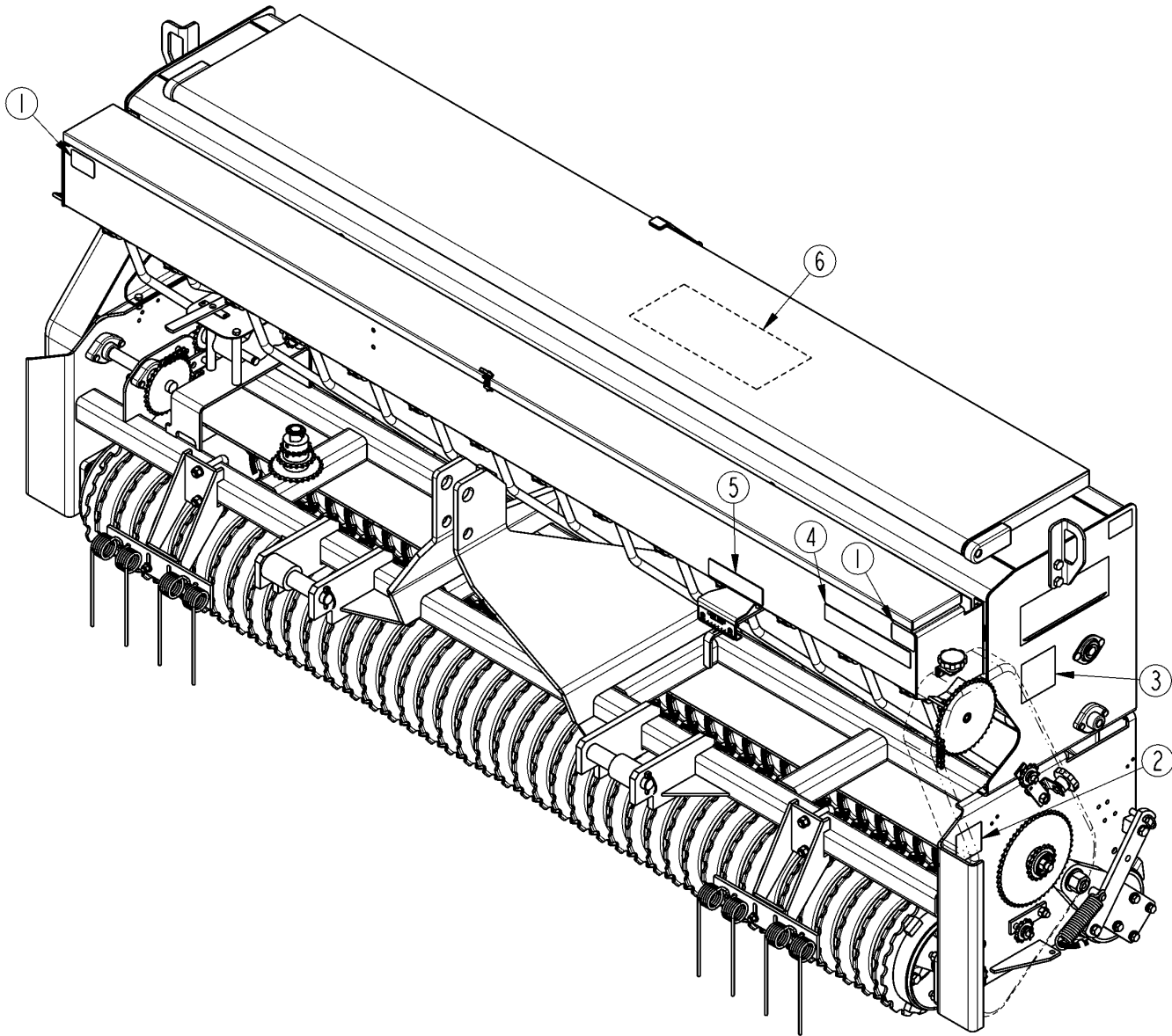
Small Grass Seed Label Placement S/N 397502-

Applies to PS2096

Ref	Part No.	Part Description	Comments	Revision
	dwg20759	Drawing Image Number PS2096 SGS DECAL PACKAGE		
1.	818-055C	DECAL SLOW MOVING-GALV. BACKED		
2.	818-230C	DECAL RED REFLECTOR		
3.	818-543C	DECAL DANGER PD GUARD MISS SML		
4.	818-890C	DECAL LP W/TREE 10" - 2 COLOR		
5.	838-111C	DECAL DANGER MOVING PARTS		
6.	838-340C	DECAL DISENGAGE DRIVE		
7.	838-372C	DECAL PS20 SMALL SEED CHART		

Small Grass Seed Label Placement S/N 397503+

Applies to PS2096



20630

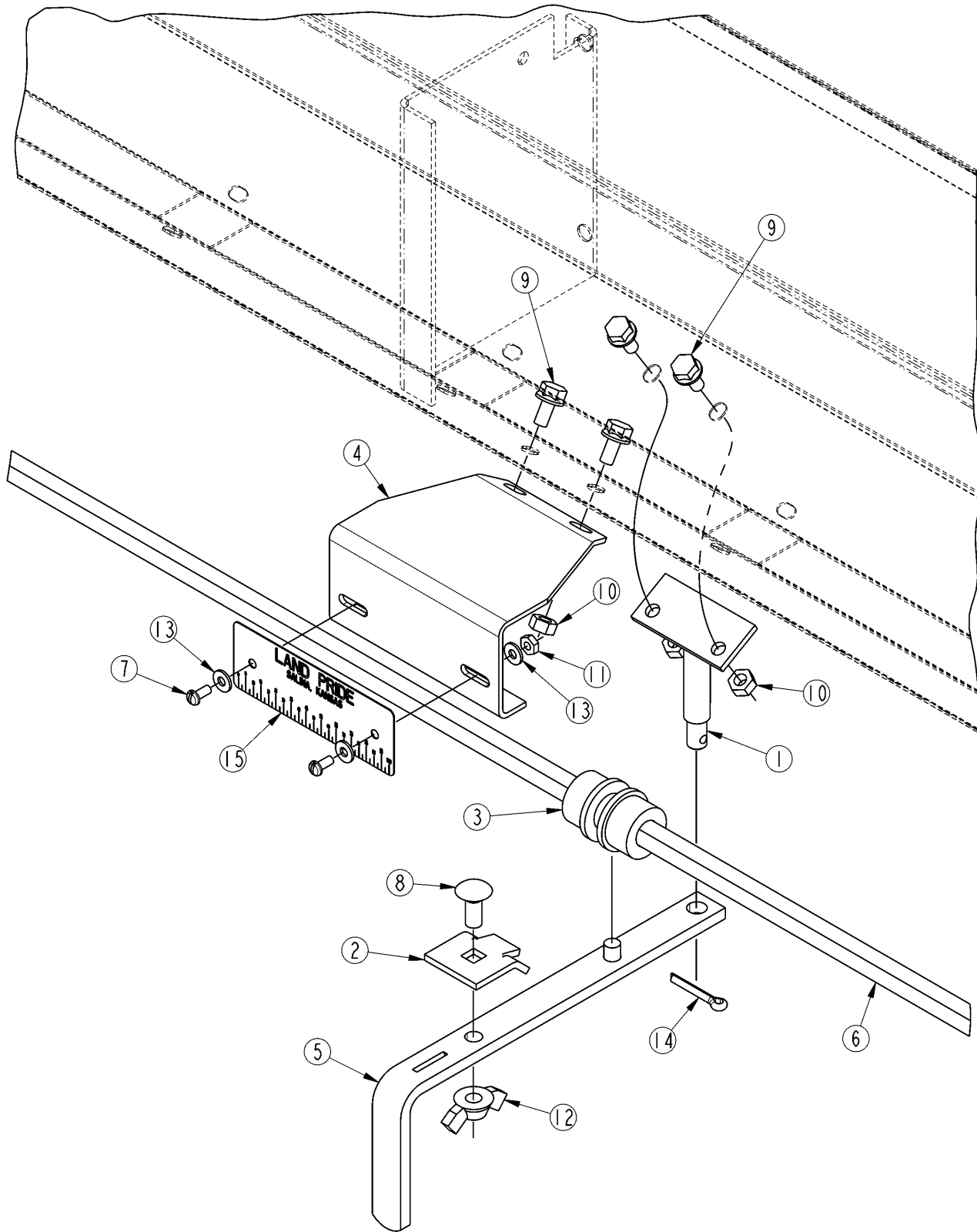
Small Grass Seed Label Placement S/N 397503+

Applies to PS2096

Ref	Part No.	Part Description	Comments	Revision
	dwg20630	Drawing Image Number		
	313-337A	PSN2096 SGS DECAL PACKAGE		
1.	818-229C	DECAL AMBER REFLECTOR		
2.	818-543C	DECAL DANGER PD GUARD MISS SML		
3.	838-111C	DECAL DANGER MOVING PARTS		
4.	838-301C	DECAL PSN2096-BROWN		
5.	838-340C	DECAL DISENGAGE DRIVE		
6.	838-372C	DECAL PS20 SMALL SEED CHART		

Small Grass Seed Seed Rate Handle S/N 397502-

Applies to PS2096



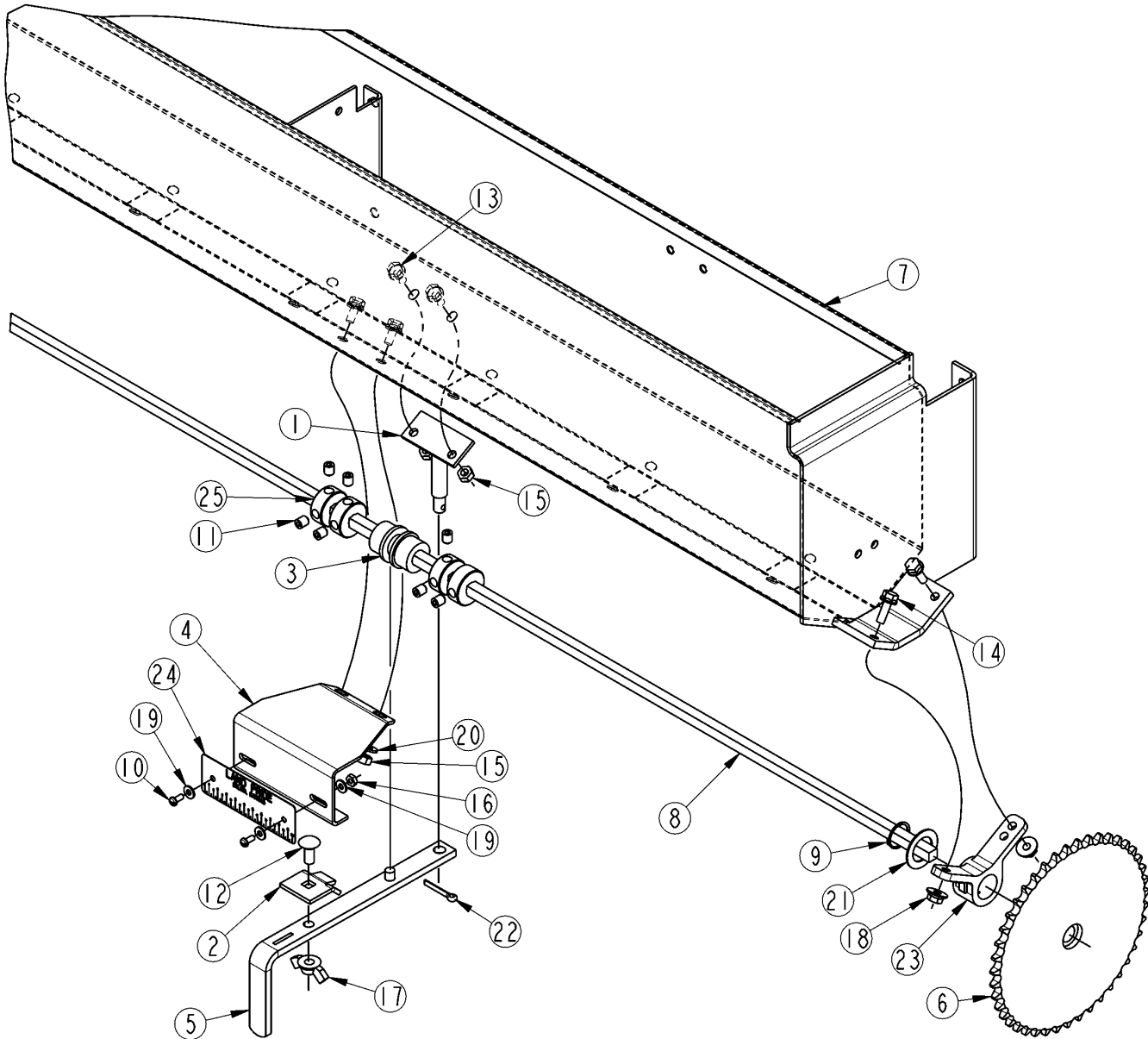
20756

Small Grass Seed Seed Rate Handle S/N 397502-**Applies to PS2096**

Ref	Part No.	Part Description	Comments	Revision
	dwg20756	Drawing Image Number		
1.	123-050H	ADJUSTMENT HANDLE PIVOT		
2.	123-113D	LOCK TAB		
3.	123-116D	SEED ADJUSTMENT SPOOL		
4.	123-410D	GAUGE MOUNTING BRACKET		
5.	123-476H	REAR SEED RATE ADJ HANDLE WLD		
6.	313-506D	PS2096 SGS CUP SHAFT		
7.	801-001C	SCREW RD HD 8-32 X 3/8 BRASS		
8.	802-092C	RHSNB 5/16-18X3/4 GR5		
9.	802-148C	HFSS 1/4-20X1/2 GR5		
10.	803-006C	NUT HEX 1/4-20 PLT		
11.	803-035C	NUT HEX 8-32 BRASS		
12.	803-058C	NUT WING 5/16-18		
13.	804-003C	WASHER FLAT #8 BRASS		
14.	805-019C	PIN COTTER 5/32 X 1 PLT		
15.	819-086C	NAME PLATE ADJ. GUIDE SHORT		

Small Grass Seed Seed Rate Handle S/N 397503+

Applies to PS2096



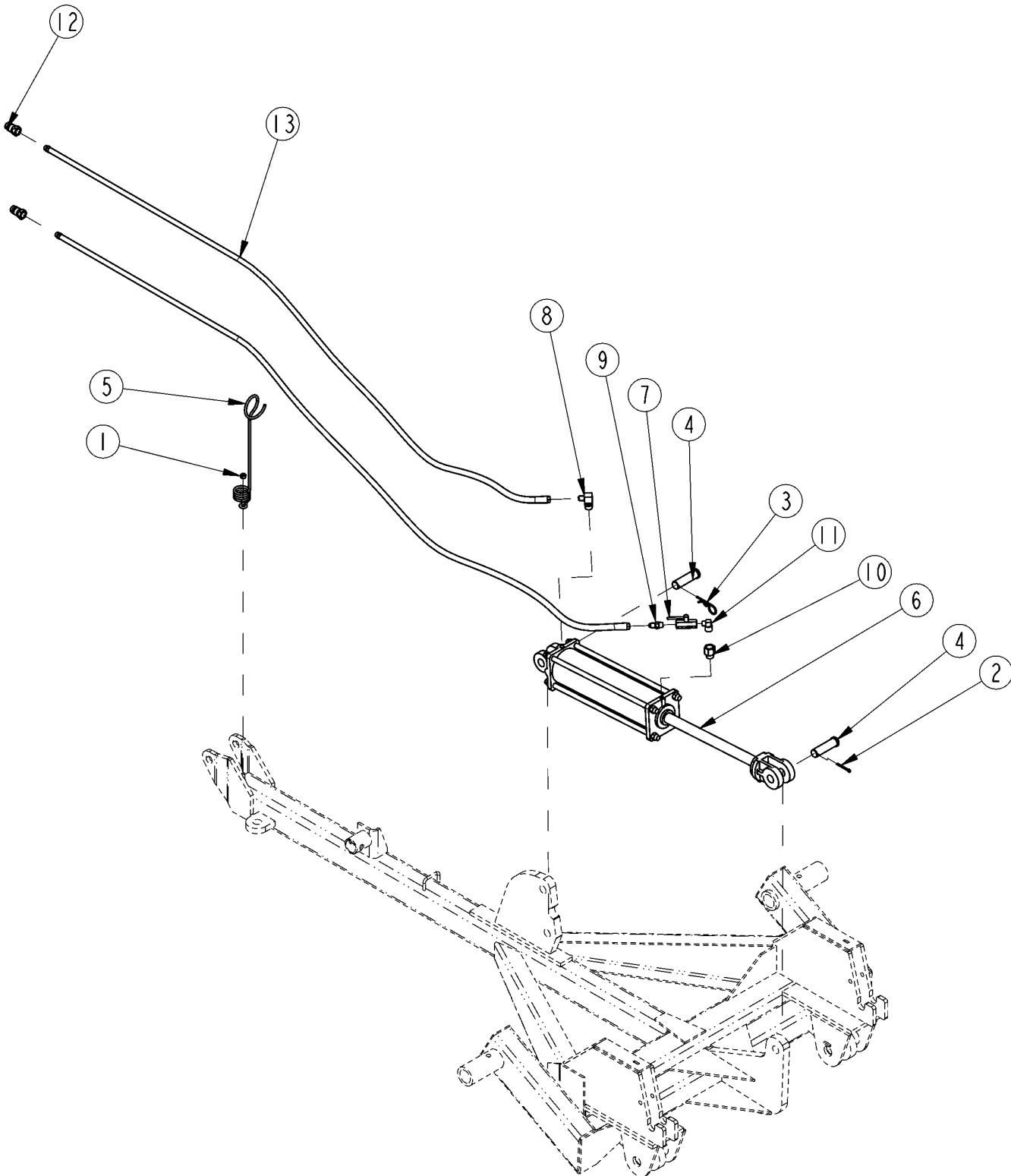
20638

Small Grass Seed Seed Rate Handle S/N 397503+**Applies to PS2096**

Ref	Part No.	Part Description	Comments	Revision
	dwg20638	Drawing Image Number		
1.	123-050H	ADJUSTMENT HANDLE PIVOT		
2.	123-113D	LOCK TAB		
3.	123-116D	SEED ADJUSTMENT SPOOL		
4.	123-410D	GAUGE MOUNTING BRACKET		
5.	123-476H	REAR SEED RATE ADJ HANDLE WLD		
6.	308-230H	SSB BOX DRIVE SPROCKET 43T		
7.	313-284H	PS2096 SGS BOX WELD		
8.	313-506D	PS2096 SGS CUP SHAFT		
9.	800-028C	SNAP RING .875		
10.	801-001C	SCREW RD HD 8-32 X 3/8 BRASS		
11.	801-035C	SCREW SET 5/16-18 SKT KP X 3/8		
12.	802-092C	RHSNB 5/16-18X3/4 GR5		
13.	802-148C	HFSS 1/4-20X1/2 GR5		
14.	802-257C	HFSS 1/4-20X3/4 GR5		
15.	803-006C	NUT HEX 1/4-20 PLT		
16.	803-035C	NUT HEX 8-32 BRASS		
17.	803-058C	NUT WING 5/16-18		
18.	803-088C	NUT HEX LOCK 1/4-20 FLG		
19.	804-003C	WASHER FLAT #8 BRASS		
20.	804-007C	WASHER FLAT 1/4 SAE PLT		
21.	804-044C	WASHER MACH 1.38 X .876 X .048		
22.	805-019C	PIN COTTER 5/32 X 1 PLT		
23.	817-026C	DRIVE SPROCKET HANGER BEARING		
24.	819-086C	NAME PLATE ADJ. GUIDE SHORT		
25.	890-349C	3/8 SHAFT LOCKING COLLAR		

Hydraulic Arrangement

Applies to PS2096



21447

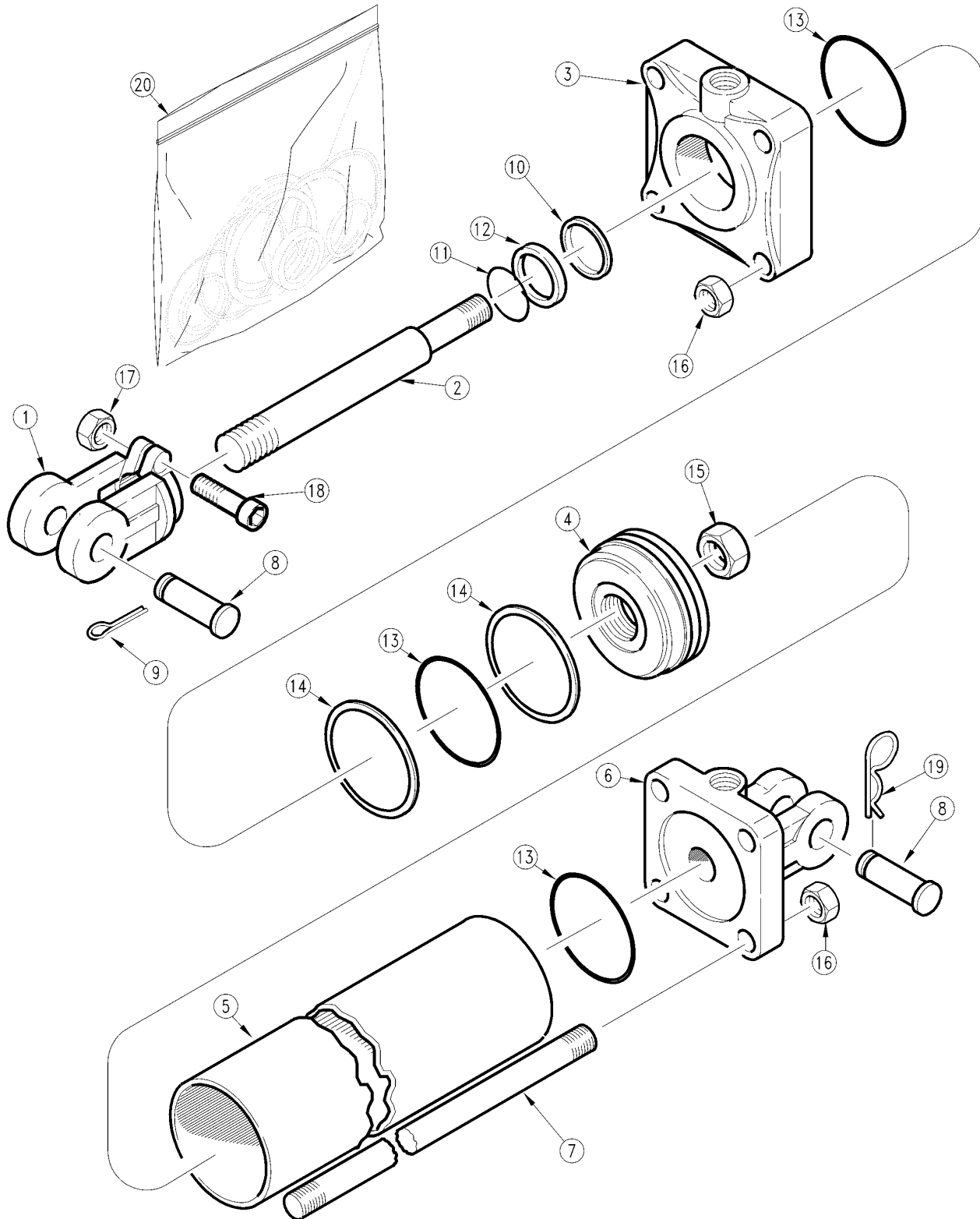
Hydraulic Arrangement

Applies to PS2096

Ref	Part No.	Part Description	Comments	Revision
	dwg21447	Drawing Image Number		
1.	803-014C	NUT HEX 3/8-16 PLT		
2.	805-017C	PIN COTTER 3/16 X 1 3/4 PLT		
3.	805-088C	PIN, HAIR COTTER 3/16 WIRE DIA		
4.	805-159C	PIN CLEVIS 1 X 3 1/8 GR5 PLT		
5.	807-023C	SPRING HOSE LOOP		
6.	810-001C	CYL 4X14X1.25 ROD (TIE)NO PINS		
7.	810-076C	VALVE BALL 3/8 NPT 90 DEGREES		
8.	811-134C	EL 9/16 MJIC 1/2MNPT		
9.	811-151C	AD 9/16MJIC 3/8MNPT		
10.	811-161C	ORAD 3/32 1/2FNPT 1/2MNPT		
11.	811-213C	EL 3/8MNPT 1/2MNPT		
12.	811-394C	CP 3/4FORB MALE QD		
13.	811-789C	HH3/8R2 096 9/16FJIC 3/4MORB		

Hydraulic Cylinder 810-001C

Applies to PS2096



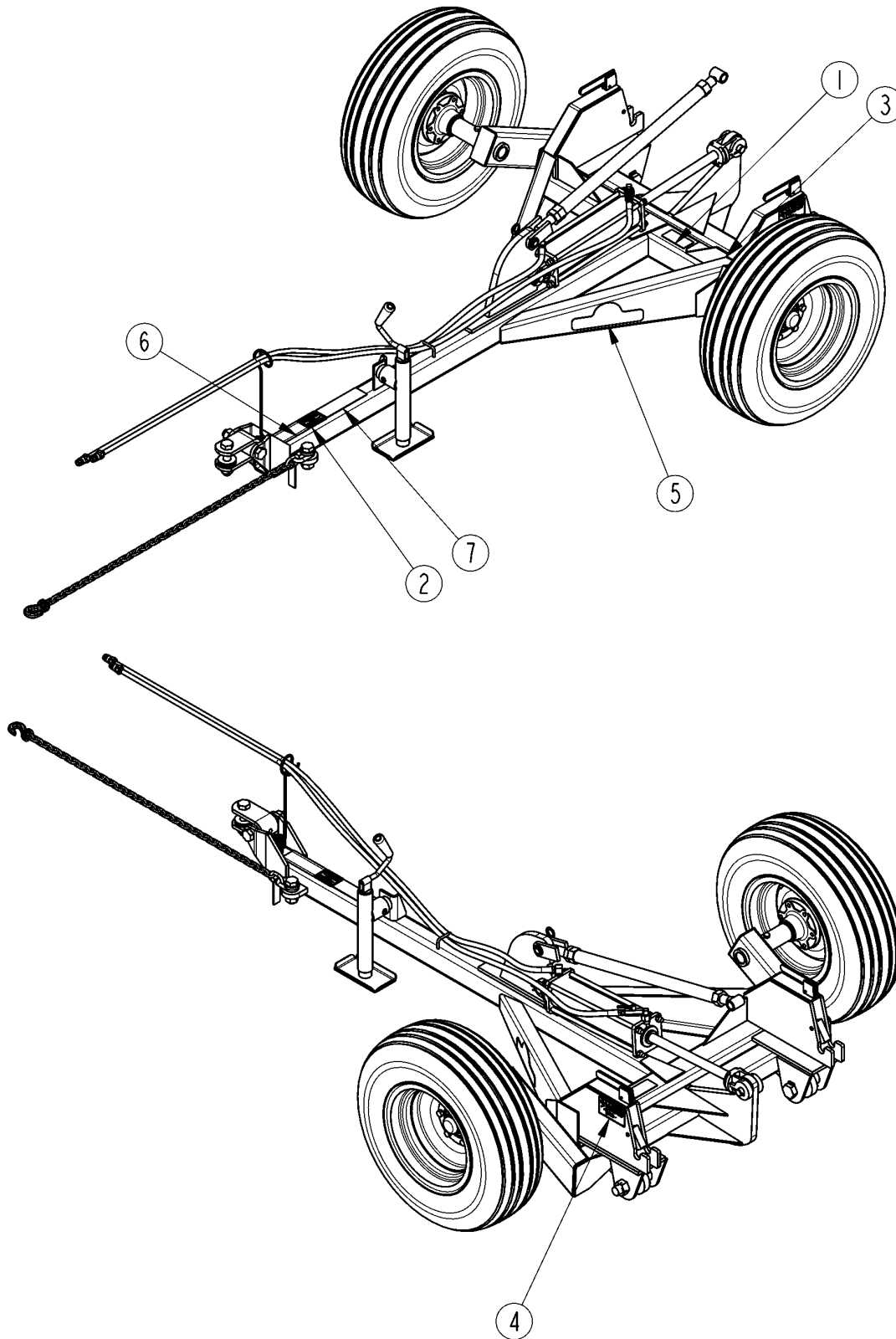
21451

Hydraulic Cylinder 810-001C**Applies to PS2096**

Ref	Part No.	Part Description	Comments	Revision
	dwg21451	Drawing Image Number		
	810-001C	CYL 4X14X1.25 ROD (TIE)NO PINS *		
1.	1M6016	MW CLEVIS, STD DUTY W/BUSHINGS		
2.	2M6474	MW ROD 1-1/4 DIA X 14 STROKE		
3.	3R5708	MW HEAD		
4.	4M6108	MW PISTON		
5.	5M6122	MW TUBE 4 X 14 CYLINDER		
6.	6R5140	BASE MIDWAY		
7.	7M6322	MW TIE ROD 4 X 14 CYLINDER		
8.	805-159C	PIN CLEVIS 1 X 3 1/8 GR5 PLT	Not Included W/ Cylinder	
9.	805-017C	PIN COTTER 3/16 X 1 3/4 PLT	Not Included W/ Cylinder	
10.	N/A	MW WIPER	Included with Cylinder	
11.	N/A	MIDWAY O-RING	Included with Cylinder	
12.	N/A	MIDWAY BACKUP RING	Included with Cylinder	
13.	N/A	MW O-RING TUBE	Included with Cylinder	
14.	N/A	MW BACK UP TUBE	Included with Cylinder	
15.	2A0024	MW PISTON NUT 1-14		
16.	2A0018	MW TIE ROD NUT		
17.	2A0012	MW NUT CLEVIS & TIE ROD		
18.	802-023C	HHCS 3/8-16X1 3/4 GR5		
19.	805-088C	PIN, HAIR COTTER 3/16 WIRE DIA	Not Included W/ Cylinder	
20.	810-013C	CYL SEAL KIT 4 X 14 MW 5A6102		

Label Placement (Part 2)

Applies to PS2096



21450

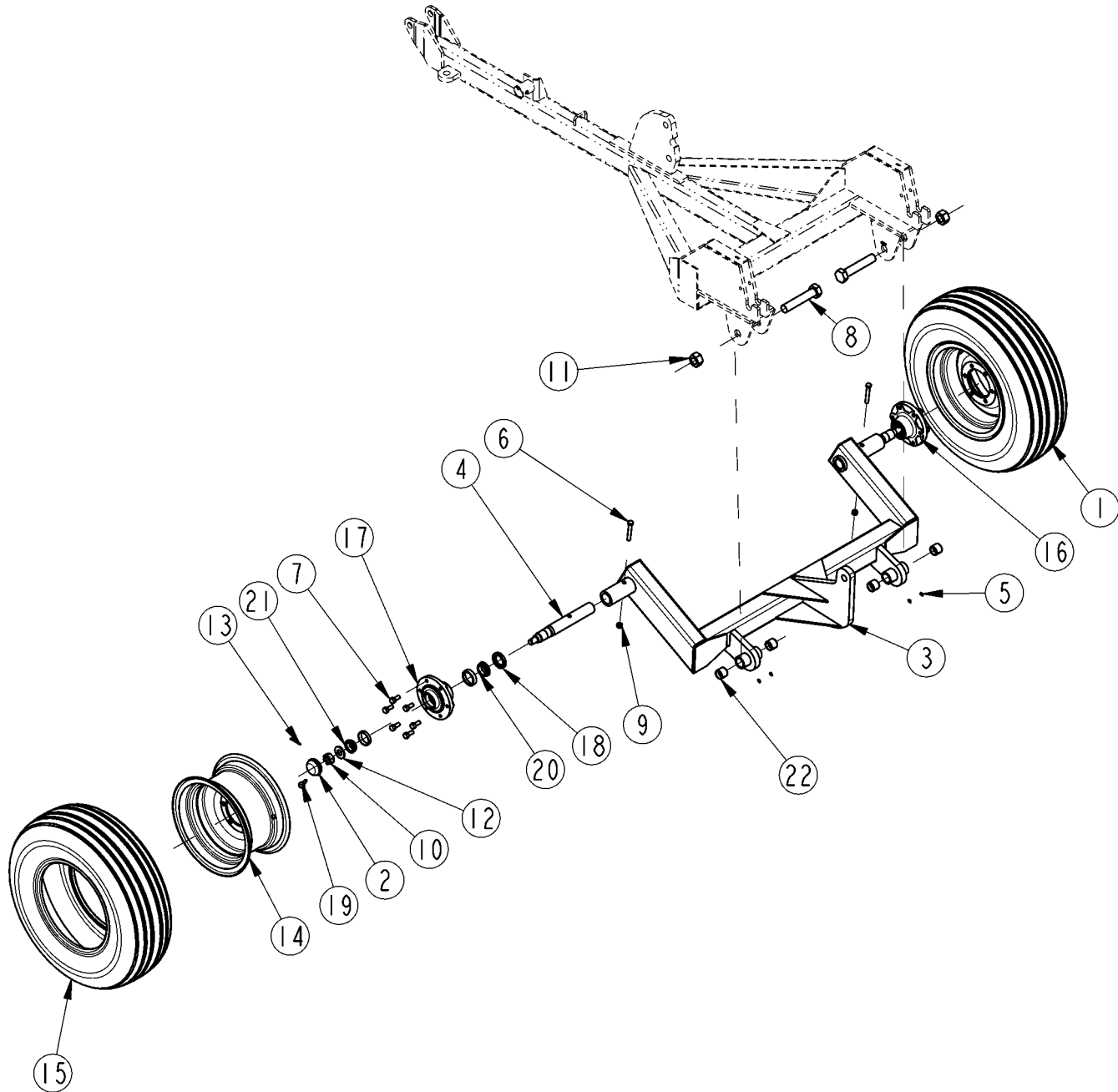
Label Placement (Part 2)

Applies to PS2096

Ref	Part No.	Part Description	Comments	Revision
	dwg21450	Drawing Image Number		
1.	818-336C	DECAL CAUTION CYLINDER LOCK PS		
2.	818-337C	DECAL WARNING 20 MPH TRANS SML		
3.	818-714C	DECAL DANGER CRUSHING TWO IMP		
4.	818-866C	DECAL CAUTION PINCH POINT HAZ.		
5.	818-892C	DECAL LP W/TREE 10" - 3 COLOR		
6.	838-094C	DECAL WARNING HYD PRESS LONG		
7.	838-386C	DECAL NEGATIVE TONGUE WEIGHT		

Transport Axle

Applies to PS2096



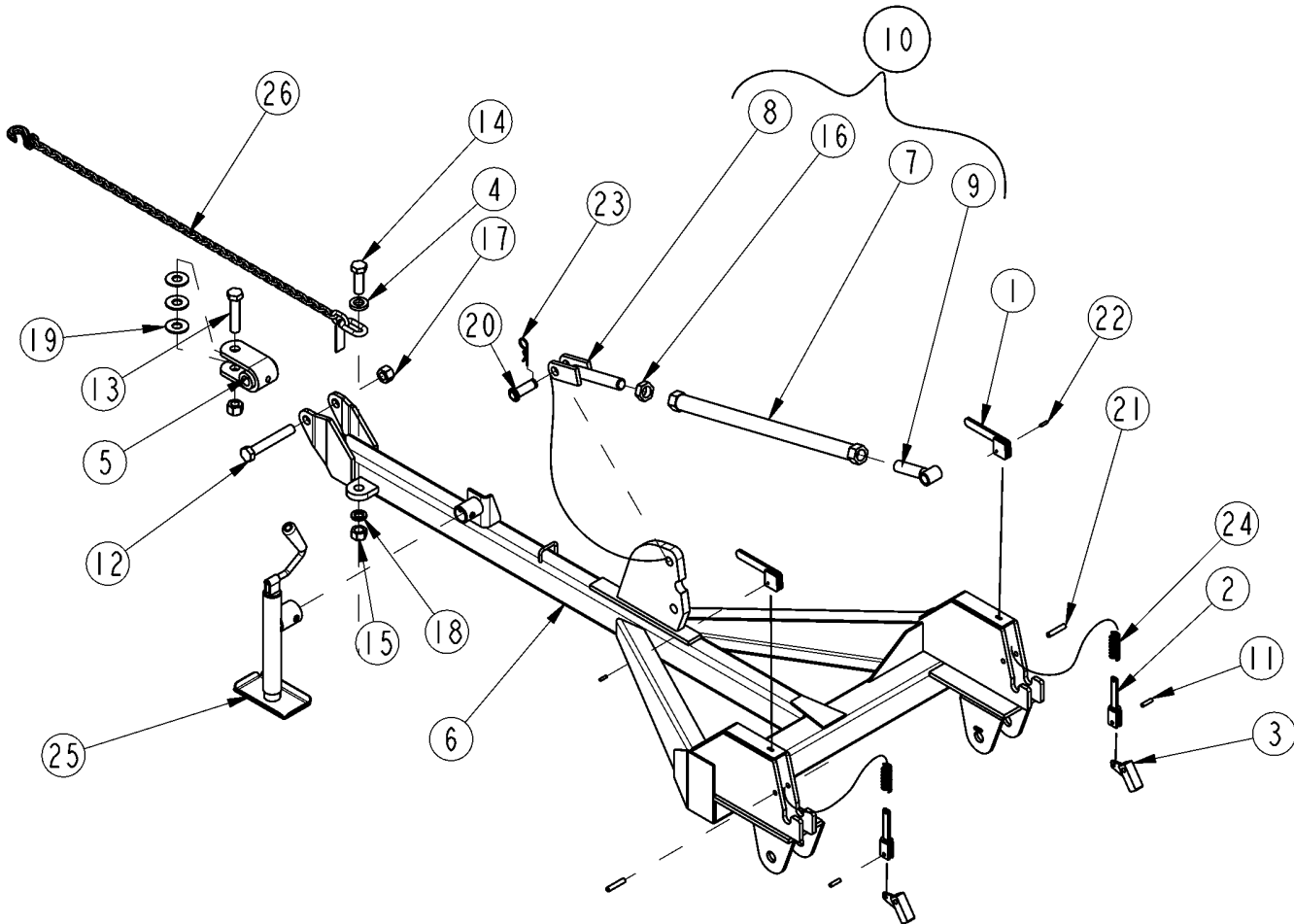
21444

Transport Axle**Applies to PS2096**

Ref	Part No.	Part Description	Comments	Revision
	dwg21444	Drawing Image Number		
1.	102-006K	TIRE/WHEEL ASSY 9.5LX15 12 PLY		
2.	200-001D	HUB GREASE CAP		
3.	313-335H	PULL HITCH AXLE WELDMENT		
4.	313-610D	AXLE SPINDLE SHAFT		
5.	800-080C	GREASE ZERK 1/4-28 THD FORMING		
6.	802-099C	HHCS 1/2-13X3 1/4 GR5		
7.	802-104C	BOLT WHEEL 1/2-20X1 90-DEG		
8.	802-717C	HHCS 1 1/4-7X 6 1/2 GR5 PLT		
9.	803-019C	NUT LOCK 1/2-13 PLT		
10.	803-029C	NUT HEX SLOTTED 7/8-14 PLT		
11.	803-081C	NUT HEX 1 1/4-7 NYLON INSERT		
12.	804-055C	WASHER SPINDLE - 7/8		
13.	805-246C	PIN COTTER 5/32 X 1 3/4 LG		
14.	814-008C	WHEEL 8 X 15 X 6 BOLT		
15.	814-009C	TIRE 9.5L X 15-12 PLY-TUBELESS		
16.	815-077C	HUB 6 BOLT 4 5/8 PILOT 3600 LB		
17.	815-082C	HUB 6 BOLT 4 5/8 PILOT W/ CUPS		
18.	816-011C	SEAL 2.56X1.625X.438 CR16289		
19.	816-035C	VALVE STEM TR415X.625X1 1/4 LG		
20.	822-018C	BEARING CONE LM-29749		
21.	822-021C	BEARING CONE LM-67048		
22.	890-340C	BUSH1 1/2ODX1 1/4IDX1 1/4LG GG		

Transport Frame

Applies to PS2096



21433

Transport Frame

Applies to PS2096

Ref	Part No.	Part Description	Comments	Revision
	dwg21433	Drawing Image Number		
1.	124-016H	LOCK HANDLE WELDMENT		
2.	124-017H	SPRING LEVER WELDMENT		
3.	124-018H	PIN LOCK WELDMENT		
4.	124-116D	PULL HITCH SAFETY CHAIN WASHER		
5.	312-421H	CLEVIS WELDMENT		
6.	313-320H	PULL HITCH FRAME WELD		
7.	313-325H	CONNECTING TUBE ASSY		
8.	313-326H	ADJUST CLEVIS WELD		
9.	313-327H	UPPER CONNECT TUBE WELD		
10.	313-328K	UPPER ADJUSTABLE LINK		
11.	313-629D	PIN LOCK PIVOT		
12.	802-074C	HHCS 1-8X6 1/2 GR5		
13.	802-098C	HHCS 1-8X4 1/2 GR5		
14.	802-181C	HHCS 1-8X4 GR5 FTHD		
15.	803-031C	NUT HEX 1-8 PLT		
16.	803-032C	NUT HEX JAM 1 1/4-7 PLT		
17.	803-038C	NUT HEX 1-8 NYLON INSERT PLT		
18.	804-027C	WASHER LOCK SPRING 1 PLT		
19.	804-028C	WASHER FLAT 1 USS PLT		
20.	805-004C	PIN CLEVIS 1 X 2 3/4 USABLE LG		
21.	805-037C	PIN SPIROL 1/2X2 1/2 PLAIN		
22.	805-044C	PIN ROLL 1/4 X 1 PLATED		
23.	805-088C	PIN, HAIR COTTER 3/16 WIRE DIA		
24.	807-007C	SPRING LEVER		
25.	890-118C	SCREW JACK 2000# 14-24 TOP-WND		
26.	890-182C	SAFETY CHAIN 10000 LB		



Part Number Index

The Part Number Index is a numeric index of all part numbers included in this manual. The index shows what page(s) the part is used on.

Part Number	Page	Part Number	Page	Part Number	Page	Part Number	Page
102-006K	59	313-182H	29, 41, 43	801-024C	13, 15, 17	803-194C	13, 15, 17, 19,
109-069D	25, 27	313-186D	13	801-035C	21, 23, 25, 33,		21, 23, 25, 29,
123-004D	7, 29, 41, 43	313-251H	15		39, 51		39, 41, 43
123-050H	49, 51	313-252H	13, 15, 17	802-004C	21, 23	803-209C	13
123-113D	49, 51	313-253H	7	802-005C	7	803-255C	7
123-116D	49, 51	313-254S	7	802-007C	13, 15, 17, 23,	804-002C	25, 27
123-356D	33	313-255S	9		35, 37, 39	804-003C	25, 27, 49, 51
123-410D	49, 51	313-256H	9	802-010C	17	804-004C	13, 15, 17, 33, 39
123-476H	49, 51	313-269D	19	802-013C	19	804-006C	27
124-016H	61	313-280H	17	802-014C	25, 27	804-007C	19, 51
124-017H	61	313-284H	33, 39, 51	802-017C	19	804-009C	13, 15, 17, 23,
124-018H	61	313-285H	33, 39	802-022C	9, 11		25, 27, 35, 37, 39
124-116D	61	313-286L	35	802-023C	55	804-010C	13, 15, 17, 25,
176-006D	21, 23	313-307H	15, 21	802-032C	21, 23		27, 35, 37
176-031V	21, 23	313-315H	7, 9	802-034C	9	804-012C	11, 25, 27
179-021D	17	313-317K	41, 43	802-038C	9	804-013C	7, 9, 11, 15, 19,
179-022D	17	313-318H	41, 43	802-039C	7		25, 27
179-025D	15	313-319L	37	802-074C	61	804-014C	9
1M6016	55	313-320H	61	802-078C	13, 17, 33	804-015C	7, 9, 11, 13, 15,
200-001D	59	313-325H	61	802-082C	7		17, 21, 23, 29
202-002H	13, 15, 17	313-326H	61	802-091C	7	804-016C	23, 29, 41, 43
2A0012	55	313-327H	61	802-092C	49, 51	804-019C	25, 27
2A0018	55	313-328K	61	802-098C	61	804-021C	29
2A0024	55	313-335H	59	802-099C	59	804-022C	29, 41, 43
2M6474	55	313-337A	47	802-104C	59	804-027C	61
300-202S	7	313-341H	13, 17	802-143C	7	804-028C	61
300-429D	7	313-345H	23	802-148C	21, 23, 33, 39,	804-029C	9
300-431D	7	313-423D	21		49, 51	804-031C	21, 23
308-004S	25, 27	313-425D	21, 23, 27	802-155C	11	804-036C	13, 17
308-015D	25, 27	313-441D	15	802-159C	15	804-041C	9
308-022D	21, 23	313-475D	13, 17	802-167C	13, 15, 17	804-044C	39, 51
308-024H	29	313-499D	25	802-181C	61	804-046C	33, 39
308-036S	21, 23	313-500D	25	802-196C	25, 27, 29, 41, 43	804-055C	59
308-041K	29	313-501D	25	802-224C	13, 15, 17	804-056C	13, 15, 17
308-107H	29, 41, 43	313-506D	33, 39, 49, 51	802-240C	7, 29	804-075C	7
308-128S	29, 41, 43	313-525D	35	802-257C	39, 51	805-004C	61
308-180D	11	313-536D	35, 37	802-258C	13, 15, 17	805-010C	9
308-193D	13, 15, 17	313-542D	15	802-282C	13, 17	805-015C	7
308-230H	39, 51	313-550D	37, 39	802-315C	9	805-016C	25, 27
308-253D	21, 23	313-556D	7	802-370C	13, 15, 17	805-017C	53, 55
308-306D	27	313-610D	59	802-390C	35, 37	805-019C	49, 51
308-334H	25, 27	313-629D	61	802-411C	13	805-037C	61
308-360D	7	313-631D	33	802-630C	19	805-044C	61
308-392D	13, 15	313-643D	13, 17	802-717C	59	805-064C	29, 41, 43
308-393D	13, 15	313-644D	23	803-001C	13, 15, 17, 33, 39	805-088C	53, 55, 61
308-394D	13, 15, 17	313-645D	13, 17	803-006C	27, 33, 49, 51	805-159C	53, 55
308-396D	21	313-647D	23	803-007C	13, 15, 17, 33	805-246C	59
312-421H	61	313-672D	13	803-008C	13, 15, 17, 19,	806-010C	11
313-006H	7	313-673D	13		23, 25, 27, 35,	807-007C	61
313-009H	9	3804-009C	19		37, 39	807-023C	53
313-014H	9	3R5708	55	803-011C	17, 19	807-044C	11
313-015D	9	4M6108	55	803-014C	7, 9, 11, 15, 19,	807-050C	9
313-015H	29, 41, 43	5M6122	55		53	808-062C	43
313-018D	7	6R5140	55	803-015C	9	808-159C	7, 29, 41
313-019H	13	7M6322	55	803-016C	25, 27	808-247C	23
313-021S	29, 41, 43	800-001C	7	803-019C	7, 9, 29, 41, 59	809-070C	41
313-024S	13	800-004C	21, 23	803-020C	7, 11, 13, 15, 17,	809-078C	29
313-027H	11	800-005C	21, 23		43	809-115C	41
313-028A	11	800-028C	39, 51	803-021C	29, 41, 43	809-138C	29, 41
313-029D	29, 41, 43	800-029C	33, 35	803-029C	59	809-151C	29
313-035D	9	800-048C	15	803-031C	61	809-223C	43
313-049D	23	800-070C	29, 41, 43	803-032C	61	809-224C	43
313-050D	9	800-080C	59	803-035C	25, 27, 49, 51	810-001C	53, 55
313-054D	27	800-101C	33, 39	803-038C	9, 61	810-013C	55
313-055D	27	800-108C	23	803-058C	49, 51	810-076C	53
313-056D	25, 27	800-316C	9	803-081C	59	811-134C	53
313-060D	11	801-001C	25, 27, 49, 51	803-084C	13, 15, 17	811-151C	53
313-063S	9	801-003C	33, 39	803-088C	19, 21, 27, 39, 51	811-161C	53
313-104S	13	801-018C	19	803-177C	13	811-213C	53
313-168D	7	801-021C	13, 15, 17			811-394C	53



Part Number Index (continued)

Part Number	Page	Part Number	Page
811-789C	53	dwg20746	7
812-056C	7	dwg20747	11
812-133C	9	dwg20748	9
814-008C	59	dwg20749	15
814-009C	59	dwg20750	21
815-077C	59	dwg20751	27
815-082C	59	dwg20752	19
816-004C	23	dwg20753	29
816-011C	59	dwg20754	31
816-035C	59	dwg20755	39
816-112C	33, 39	dwg20756	49
816-113C	33, 39	dwg20757	37
816-363C	29	dwg20758	41
816-374C	43	dwg20759	45
816-375C	41	dwg21296	17
816-408C	29	dwg21297	23
816-504C	7	dwg21298	25
817-008C	39	dwg21433	61
817-009C	33, 39	dwg21444	59
817-010C	33, 39	dwg21447	53
817-025C	29, 41, 43	dwg21450	57
817-026C	39, 51	dwg21451	55
817-033C	13, 15, 17	dwg25987	13
817-094C	21, 23	N/A	55
817-259C	29, 41, 43		
817-443C	15, 17		
817-467C	13, 15, 17		
817-504C	33		
817-505C	19		
817-506C	19		
818-055C	19, 31, 45		
818-190C	31		
818-229C	31, 47		
818-230C	31, 45		
818-336C	57		
818-337C	57		
818-543C	31, 45, 47		
818-714C	57		
818-866C	57		
818-869C	31		
818-890C	31, 45		
818-892C	57		
819-086C	25, 27, 49, 51		
822-004C	7		
822-018C	59		
822-021C	59		
822-040C	13, 15, 17		
822-041C	13, 15, 17		
822-059C	21, 23		
822-067C	41, 43		
822-085C	9		
838-094C	57		
838-111C	31, 45, 47		
838-301C	47		
838-334C	31		
838-340C	45, 47		
838-372C	45, 47		
838-386C	57		
890-118C	61		
890-153C	19, 39		
890-182C	61		
890-340C	59		
890-349C	33, 39, 51		
890-350C	21, 23, 25		
890-595C	21, 23		
890-789C	7		
dwg20626	33		
dwg20630	47		
dwg20632	35		
dwg20633	43		
dwg20638	51		



Great Plains Manufacturing, Inc.

Corporate Office: P.O. Box 5060
Salina, Kansas 67402-5060 USA

www.landpride.com
